



GROUP 02 – FRONT AXLE

FRONT AXLE ASSEMBLY

- FIG. 02-1 R-100, R-110, R-120, R-130 SERIES
- FIG. 02-2 R-150, R-160, RC-160 SERIES
- FIG. 02-4 R-140-4x4, R-160-4x4

FRONT AXLE TIE ROD

- FIG. 02-1 R-100, R-110, R-120, R-130 SERIES
- FIG. 02-3 R-150, R-160, RC-160 SERIES
- FIG. 02-4 R-140-4x4, R-160-4x4

FRONT AXLE DIFFERENTIAL

- FIG. 02-4 R-140-4x4, R-160-4x4

MT-97

GROUP 02 – FRONT AXLE

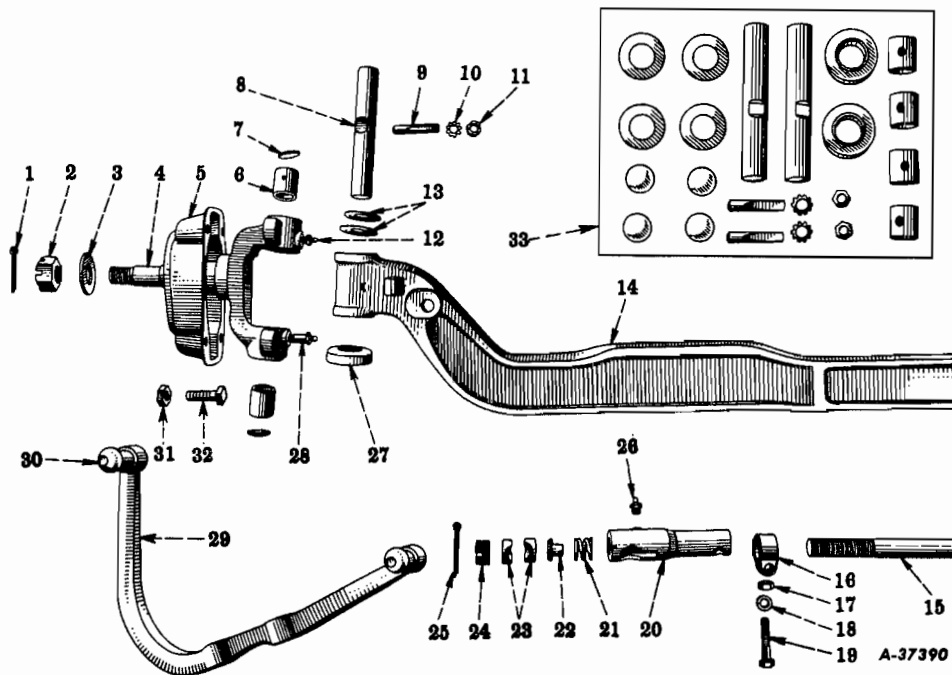


FIG. 02-1 – FRONT AXLE ASSEMBLY AND TIE ROD
(R-100, R-110, R-120, R-130 Series)

KEY	DESCRIPTION	NO. REQ'D	I H PART NUMBER
	AXLE, w/BRAKES, ASM.		
	R-100 SERIES		128 195 R91
	R-110 SERIES		97 615 R92
	R-120, R-130 SERIES		129 833 R91
1	PIN (SEE GROUP 17)		
2	NUT (SEE GROUP 17)		
3	WASHER (SEE GROUP 17)		
4	KNUCKLE, w/BUSHING, ASM.	2	69 567 R11
5	GUARD (SEE GROUP 17)		
6	BUSHING		
	STD. SIZE	4	43 283 HA
	.015" o/s	4	93 860 HA
7	PLUG	4	47 385 H
8	PIN		
	STD. SIZE	2	62 835 R1
	.015" o/s	2	62 896 R1
9	KEY	2	80 866 R1
10	WASHER, LK., 3/8", EXT.	2	114 606
11	NUT, HEX., JAM, 3/8NF	2	114 494
12	LUBRICATOR, 1/8", STGHT.	2	109 461
13	SHIM (.005" THICK)	AR	80 591 R1
14	I-BEAM		
	R-100, R-110 SERIES (SEE NOTE)	1	127 295 R1
	R-120, R-130 SERIES	1	69 939 R1

PRINTED IN UNITED STATES OF AMERICA

GROUP 02 – FRONT AXLE



KEY	DESCRIPTION	NO. REQ'D	I H PART NUMBER
-----	-------------	-----------	-----------------

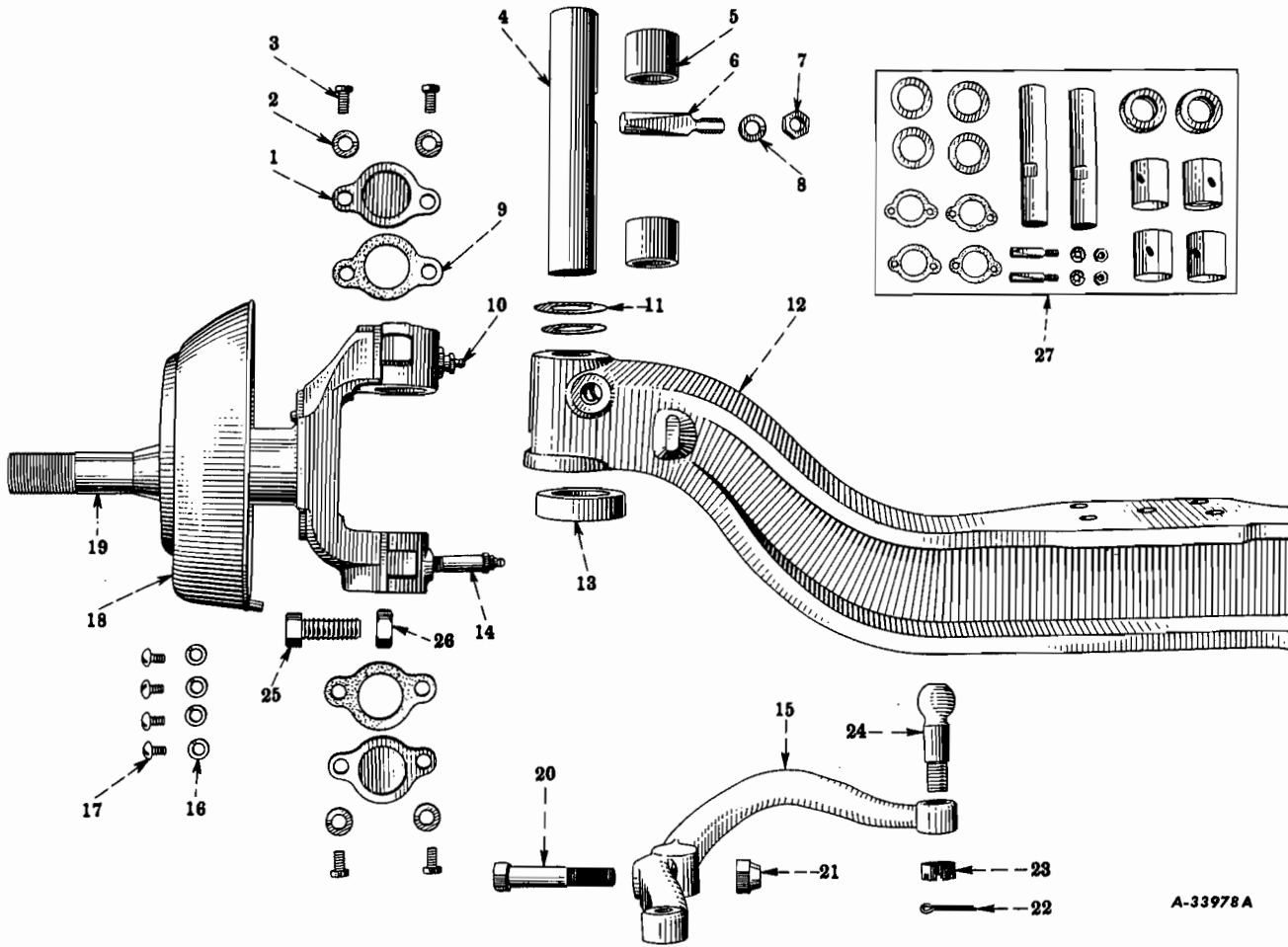
FIG. 02-1 – FRONT AXLE ASSEMBLY AND TIE ROD - Continued

15	ROD	1	69 566 R2
16	CLAMP, w/BOLT, ASM.	2	1 058 YX
17	NUT, HEX., 3/8NF	2	103 026
18	WASHER, LK., MED.	2	103 321
19	BOLT, HEX-HD., 3/8NF x 1-3/4"	2	182 728
20	END, ASM.		
	LT.	1	1 061 YX
	RT.	1	1 060 YX
21	SPRING	2	1 057 YA
22	PLUG	2	1 056 Y
23	SEAT	4	1 055 Y
24	PLUG	2	13 350 V
25	PIN, COTTER, 1/8 x 1-5/8"	2	137 210
26	LUBRICATOR, 1/8", STGHT.	2	109 461
27	BEARING	2	66 991 R91
28	LUBRICATOR, 1/8", STGHT.	2	126 121
29	ARM, ASM.		
	LT. (DOUBLE)	1	128 151 R11
	RT. (SINGLE)	1	85 053 HX
	BOLT (SEE GROUP 04)		
	BOLT (SEE GROUP 04)		
	NUT (SEE GROUP 04)		
30	NOT SERVICED SEPARATELY		
31	NUT, HEX., JAM, 3/8NC (IN BACKING PLATE)	2	114 503
32	SCREW, SET, 3/8NC x 1" (IN BACKING PLATE)	2	134 503
33	KIT		
	STD. SIZE	1	62 905 R93
	.015" o/s	1	62 906 R93

RIGHT HAND DRIVE

	AXLE, w/BRAKES, ASM.		
	R-100 SERIES		128 196 R91
	R-110 SERIES		97 616 R92
	R-120, R-130 SERIES		69 928 R91
29	ARM, ASM.		
	LT. (SINGLE)	1	85 054 HX
	RT. (DOUBLE)	1	128 152 R11
	NOTE - 127 295 R1 WILL WORK FOR 69 581 R1.		
	USE STEERING ARM 128 151 R11 FOR L.H.D. OR 128 152 R11 FOR R.H.D.		
	WHEN USING I-BEAM 127 295 R1 FOR REPLACEMENT OF 69 581 R1 I-BEAM		

GROUP 02 – FRONT AXLE



A-33978A

FIG. 02-2 – FRONT AXLE ASSEMBLY
(R-150, R-160, RC-160 Series)

KEY	DESCRIPTION	I H PART NUMBER
	AXLE, w/BRAKES, ASM.	
	R-150 SERIES	83 490 R9I
	R-160, RC-160 SERIES	69 664 R9I
1	CAP	51 122 VA
2	WASHER, LK., 5/16", MED.	103 320
3	BOLT, FIL-HD., 5/16NF x 1/2"	51 124 V
4	PIN	69 585 RI
5	BUSHING	
	STD.	69 583 RI
	.015" o/s	134 515 RI
6	KEY	111 571 H
7	NUT, HEX., JAM, 3/8NC	114 503
8	WASHER, LK., 3/8", MED.	103 321
9	GASKET	51 123 V
10	LUBRICATOR, 1/8", STGHT.	109 461

PRINTED IN UNITED STATES OF AMERICA

MT-97 Rev. No. 2, 7/56

GROUP 02 - FRONT AXLE

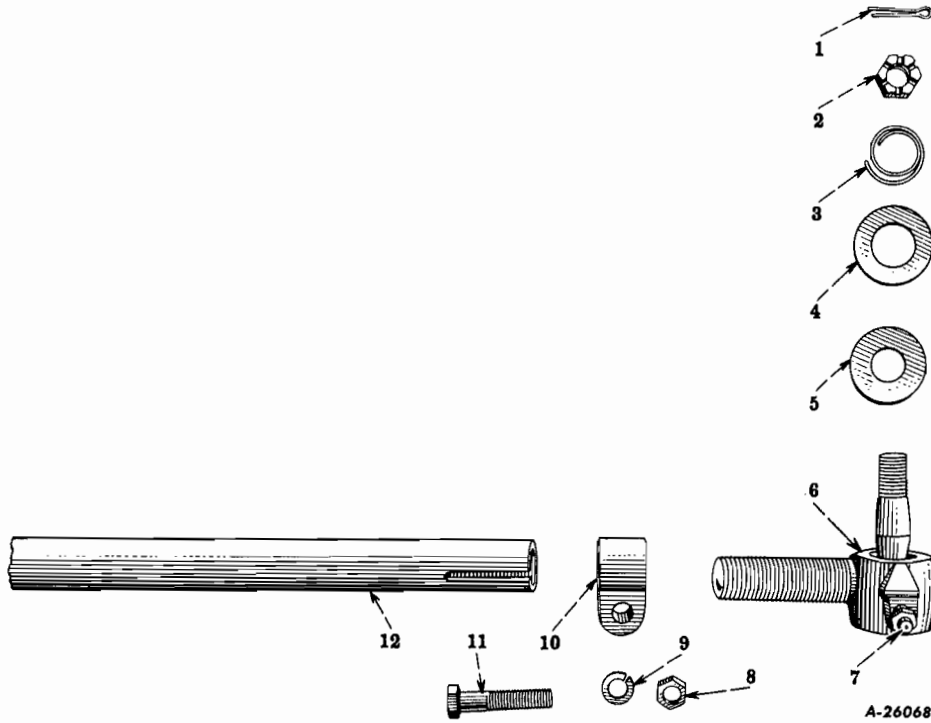


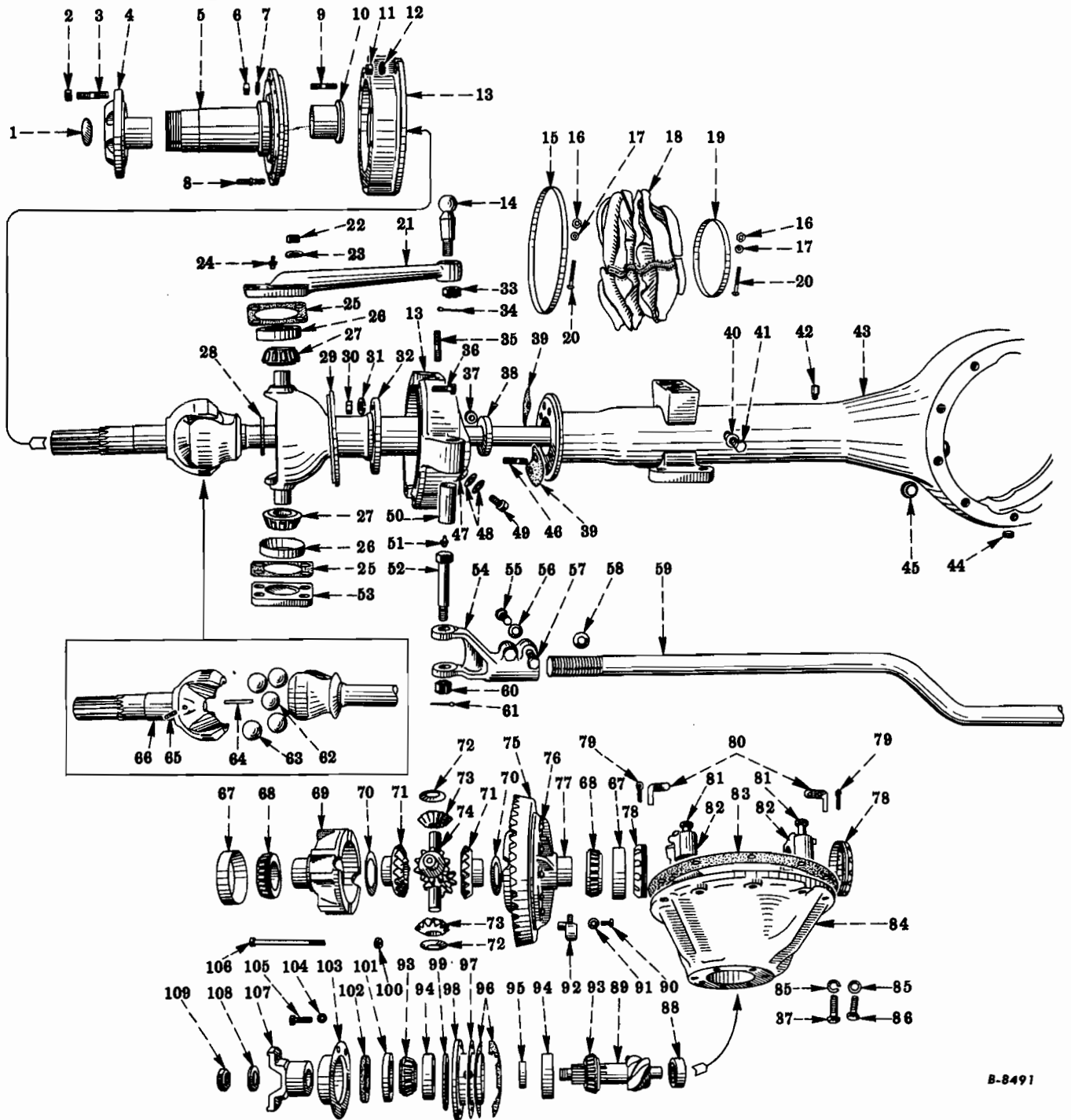
FIG. 02-3 - FRONT AXLE TIE ROD
(R-150, R-160, RC-160 Series)

KEY	DESCRIPTION	NO. REQ'D	I H PART NUMBER
1	PIN, COTTER, 3/32 x 1"	2	137 171
2	NUT, HEX., SLT., 1/2NF	2	102 647
3	SPRING	2	26 492 H
4	COVER	2	26 490 H
5	SEAL	2	26 491 H
6	END, ASM.		
	LT.	1	46 503 HX
	RT.	1	46 502 HX
7	LUBRICATOR, 1/8", STGHT.	2	109 461
8	NUT, HEX., 3/8NF	2	103 026
9	WASHER, LK., 3/8", MED.	2	103 321
10	CLAMP	2	46 508 H
11	BOLT, HEX-HD., 3/8NF x 1-3/4"	2	182 728
12	ROD	1	69 582 RI

PRINTED IN UNITED STATES OF AMERICA

MT-97

GROUP 02 - FRONT AXLE



B-8491

FIG. 02-4 - FRONT AXLE ASSEMBLY
(R-140-4x4, R-160-4x4)

KEY	DESCRIPTION	NO. REQ'D	I H PART NUMBER
	AXLE, w/BRAKES, ASM. (6.166 TO 1 RATIO)		
	FOR 7.50 x 20 AND 8.25 x 20 TIRES		122 798 R91
	FOR 11.00 x 20 TIRES		125 417 R91
	CARRIER, DIFF., ASM. (6.166 TO 1 RATIO)		120 387 R91

PRINTED IN UNITED STATES OF AMERICA

MT-97

GROUP 02 - FRONT AXLE



KEY	DESCRIPTION	NO. REQ'D	I H PART NUMBER
FIG. 02-4 - FRONT AXLE ASSEMBLY - Continued			
1	PLUG, EXPANSION, 1-3/4"	2	172 578
2	NUT	16	12 603 RI
3	STUD	16	55 843 RI
4	FLANGE	2	120 392 R11
5	KNUCKLE	2	108 341 HX
6	NUT, HEX., 3/8NC	12	102 635
7	WASHER, LK., 3/8", MED.	12	103 321
8	STUD	2	105 462 H
9	STUD	10	105 461 H
10	BUSHING	2	108 342 H
11	NUT, HEX., 3/8NC	24	102 635
12	WASHER, LK., 3/8", MED.	24	103 321
13	HOUSING, ASM.		
	LT.	1	108 305 HAY
	RT.	1	108 306 HAY
14	BALL	1	74 657 H
15	STRAP	2	135 634 H
16	NUT, HEX., No. 8NC	4	110 633
17	WASHER, LK., No. 8, MED.	4	121 841
18	BOOT	2	135 633 H
19	STRAP	2	135 635 H
20	SCREW, RD-HD., No. 8 x 1-3/4"	4	135 621 H
21	ARM	1	120 393 RI
22	NUT, HEX., 1/2NC	16	102 637
23	WASHER, LK., 1/2", MED.	16	103 323
24	LUBRICATOR, 1/8", STGHT.	2	105 465 HA
25	SHIM		
	.002" THICK	AR	108 315 H
	.003" THICK	AR	108 316 H
	.010" THICK	AR	108 317 H
	.020" THICK	AR	54 722 RI
	.031" THICK	AR	108 318 H
26	BEARING	4	108 304 H
27	BEARING	4	108 301 H
28	WASHER	2	108 302 H
29	SEAL, ASM.	2	108 310 H
30	NUT, HEX., 1/2NC	16	102 637
31	WASHER, LK., 1/2", MED.	16	103 323
32	YOKE, ASM.	2	108 298 HY
33	NUT, HEX., 3/4NF, SLT.	1	427 639
34	PIN, COTTER, 1/8 x 1-1/2"	1	103 387
35	STUD	16	108 309 H
36	BOLT, HEX-HD., 3/8NC x 1-1/4"	24	181 114
37	PLUG, PIPE, SQ-HD., 1/2"	2	103 868
38	SEAL	2	108 294 H
39	PLATE	4	135 636 H
40	WASHER (SEE GROUP 04)		
41	BOLT (SEE GROUP 04)		
42	BREATHER	1	110 891 H
43	HOUSING, ASM.	1	120 405 R91
44	PLUG, PIPE, CTSK., 3/8"	1	444 661

MT-97

GROUP 02 – FRONT AXLE



KEY	DESCRIPTION	NO. REQ'D	I H PART NUMBER
FIG. 02-4 – FRONT AXLE ASSEMBLY - Continued			
45	PLUG, PIPE, SQ-HD., 3/4"	1	16 845 RI
46	STUD	16	129 573 H
47	SPACER	2	119 856 H
48	SHIM (.031" THICK)	AR	119 857 H
49	SCREW	2	181 161
50	BUSHING	2	108 311 H
51	LUBRICATOR, STGHT. 1/8"	2	109 461
52	BOLT	2	108 348 H
53	CAP		
	LWR.	2	108 314 H
	UPR. RT.	1	108 313 H
54	YOKE		
	LT.	1	108 345 H
	RT.	1	108 346 H
55	NUT, HEX., 1/2NC	4	102 637
56	WASHER, LK., 1/2", MED.	4	103 323
57	BOLT	4	181 170
58	WASHER	2	105 487 H
59	ROD	1	120 394 RI
60	NUT, HEX., SLT. 5/8NF	2	102 649
61	PIN, COTTER, 1/8 x 1-1/2"	2	137 205
62	BALL	2	109 622 H
63	BALL		
	1.372" DIA.	8	135 308 H
	1.373" DIA.	AR	135 309 H
	1.374" DIA.	AR	135 310 H
	1.375" DIA.	AR	16 112 RI
	1.376" DIA.	AR	135 312 H
	1.377" DIA.	AR	135 313 H
	1.378" DIA.	AR	135 314 H
64	PIN	2	109 623 H
65	PIN	2	187 798
66	JOINT, w/SHAFTS, ASM.		
	RT.	1	120 408 R91
	LT.	1	120 407 R91
67	BEARING	2	ST 964
68	BEARING	2	ST 2 010
69	CASE	1	50 318 RI
70	WASHER	2	50 313 RI
71	GEAR, 16 TEETH	2	82 770 RI
72	WASHER	4	50 314 RI
73	GEAR, 10 TEETH	4	50 606 RI
74	SPIDER	1	50 316 RI
75	GEAR, SET	1	83 506 R93
76	RIVET	12	80 161 RI
77	CASE	1	50 319 RI
78	ADJUSTER	2	50 102 R2
79	PIN, COTTER, 3/16 x 1"	2	103 407

PRINTED IN UNITED STATES OF AMERICA

MT-97 Rev. No. 2, 7/56



GROUP 02 – FRONT AXLE

KEY	DESCRIPTION	NO. REQ'D	I H PART NUMBER
-----	-------------	-----------	-----------------

FIG. 02-4 – FRONT AXLE ASSEMBLY - Continued

80	LOCK	2	13 875 V
81	BOLT	4	69 410 R1
82	NOT SERVICED SEPARATELY		
83	GASKET	1	50 092 R1
84	CARRIER, w/CAPS, ASM.	1	83 411 R91
85	WASHER, LK., 1/2", MED.	10	103 323
86	BOLT, HEX-HD., 1/2NF x 1-1/4"	4	80 292 R1
87	BOLT, HEX-HD., 1/2NF x 1-5/8"	6	80 291 R1
88	BEARING	1	50 103 R92
89	GEAR, SET	1	83 506 R93
90	BOLT, HEX-HD., 1/4NC x 3/4"	1	181 063
91	WASHER, LK., 1/4", MED.	1	103 319
92	LUBRICATOR	1	120 388 R1
93	BEARING	2	71 320 R91
94	BEARING	2	50 083 R1
95	SPACER		
	.438" THICK	AR	50 261 R2
	.441" THICK	AR	50 262 R2
	.444" THICK	AR	50 263 R2
	.447" THICK	AR	50 264 R2
	.450" THICK	AR	50 265 R2
	.453" THICK	AR	50 266 R2
	.456" THICK	AR	50 267 R2
	.459" THICK	AR	50 268 R2
	.462" THICK	AR	50 269 R2
	.465" THICK	AR	50 270 R2
	.468" THICK	AR	50 271 R2
96	SHIM .003" THICK		
	LWR.	AR	50 084 R1
	UPR.	AR	50 085 R1
97	SHIM		
	.010" THICK	AR	50 086 R1
	.030" THICK	AR	50 087 R1
98	CAGE, w/CUPS, ASM.	1	50 113 R1
99	SEAL	1	50 078 R1
100	NUT, HEX., LK., 3/8NF	8	451 114
101	SEAL, ASM.	1	79 680 H
102	SEAL	1	82 246 R1
103	RETAINER, w/SEAL, ASM.	1	82 492 R91
104	WASHER, LK., 3/8"	6	114 606
105	BOLT, HEX-HD., 3/8NC x 1-1/4"	6	142 678 H
106	BOLT	8	60 339 R1
107	FLANGE (SEE GROUP 06)		
108	WASHER (SEE GROUP 06)		
109	NUT (SEE GROUP 06)		

RIGHT HAND DRIVE

	AXLE, w/BRAKES, ASM. (6.166 TO 1 RATIO)		
	FOR 7.50 x 20 AND 8.25 x 20 TIRES		122 799 R91
	FOR 11.00 x 20 TIRES		125 418 R91
53	CAP, UPR. LT.	1	108 313 H

PRINTED IN UNITED STATES OF AMERICA