



## GROUP 08 – ELECTRICAL SYSTEM

### WIRING DIAGRAMS

- FIG. 08-1 R-100, R-110, R-120, R-130 SERIES (LEFT HAND DRIVE)
- FIG. 08-2 R-100, R-110, R-120, R-130 SERIES (RIGHT HAND DRIVE)
- FIG. 08-3 R-140-4x4, R-150, R-160, R-160-4x4 (LEFT HAND DRIVE)
- FIG. 08-4 R-140-4x4, R-150, R-160, R-160-4x4 (RIGHT HAND DRIVE)
- FIG. 08-5 RC-160 SERIES

### GENERATORS

- FIG. 08-6 6V, 35 AMP., 6V, 40 AMP., STANDARD AND 12V, 30 AMP., CODE 0814
- FIG. 08-7 6V, 40 AND 45 AMP., CODE 0810, 6V, 50 AND 55 AMP., CODE 0811; AND 12V, 50 AMP., CODE 0812; 6V, 40 AMP., LSP1, CODE 0863; 6V, 50 AMP., CODE 0864

### GENERATOR BRACKET AND DRIVE

- FIG. 08-8 6V, 35 AMP., STANDARD; 6V, 40 AND 45 AMP., CODE 0810; 12V, 30 AMP., CODE 0814
- FIG. 08-9 6V, 40 AMP., LSC1, CODE 0863; 6V, 50 AND 55 AMP., CODE 0811; 6V, 50 AMP., CODE 0864; 12V, 50 AMP., CODE 0812

### GENERATOR REGULATOR

- FIG. 08-10 REGULATOR, ASM.

### STARTING MOTOR

- FIG. 08-11 6V, FOR GASOLINE ENGINES
  - (R-110 SERIES BELOW 43823)
  - (R-120 SERIES BELOW 8912)
  - (R-130 SERIES BELOW 6836)
  - (R-140-4x4 SERIES BELOW 640)
  - (R-160 SERIES BELOW 19483)
  - (R-160-4x4 SERIES BELOW 598)
  - (RC-160 SERIES BELOW 1913)
- FIG. 08-12 6V, FOR GASOLINE ENGINES
  - FOR SD-220 ENGINE
    - (R-100 SERIES - 501 AND UP)
    - (R-110 SERIES - 43823 AND UP)
    - (R-120 SERIES - 8912 AND UP)
    - (R-130 SERIES - 6836 AND UP)
    - (R-140 SERIES - 640 AND UP)
    - (R-150 SERIES - 1700 AND UP)
  - FOR SD-240 ENGINE
    - (R-110 SERIES - 43823 AND UP)
    - (R-120 SERIES - 8912 AND UP)
    - (R-130 SERIES - 6836 AND UP)
    - (R-140 SERIES - 640 AND UP)
    - (R-150 SERIES - 1700 AND UP)
    - (R-160 SERIES - 19483 AND UP)
    - (R-160-4x4 - 598 AND UP)
    - (RC-160 - 1913 AND UP)
  - FOR BD-264 ENGINE
    - (R-140-4x4 SERIES - 640 TO 1308)
    - (R-160 SERIES - 19483 TO 40083)
    - (R-160-4x4 SERIES - 598 TO 1205)
    - (RC-160 SERIES - 1913 TO 3862)
- FIG. 08-12A - 6V AND 12V, FOR GASOLINE AND LPG ENGINES
  - FOR BD-264 GASOLINE ENGINES (6 VOLT)
    - (R-140-4x4 SERIES - 1309 AND UP)
    - (R-160 SERIES - 40083 AND UP)
    - (R-160-4x4 SERIES - 1206 AND UP)
    - (RC-140 SERIES - 3863 AND UP)
  - FOR SD-240 LPG ENGINE (6 VOLT)
    - (R-110 SERIES - 59105 AND UP)
    - (R-120 SERIES - 13173 AND UP)
    - (R-160 SERIES - 40180 AND UP)
    - (R-160-4x4 SERIES - 1206 AND UP)

08

**STARTING MOTOR - Continued**

- FIG. 08-12A – 6V AND 12V, FOR GASOLINE AND LPG ENGINES - Continued  
 FOR SD-240 AND BD-264 GASOLINE ENGINE (12 VOLT)  
 (R-160 SERIES—38419 AND UP)  
 (RC-160 SERIES—3671 AND UP)
- FIG. 08-13 – 12V, FOR GASOLINE ENGINES  
 (R-140-4x4, R-160-4x4 SERIES)  
 (R-160 SERIES—BELOW 38419)  
 (RC-160 SERIES—BELOW 3671)
- FIG. 08-14 – 6V AND 12V, FOR LPG ENGINES  
 6 VOLT SYSTEMS  
 (R-110 SERIES—BELOW 59105)  
 (R-120 SERIES—BELOW 13173)  
 (R-130 SERIES—501 AND UP)  
 (R-150 SERIES—501 AND UP)  
 (R-160 SERIES—BELOW 40180)  
 (R-160-4x4 SERIES—BELOW 1206)
- 12 VOLT SYSTEMS  
 (R-160, R-160-4x4 SERIES)

**DISTRIBUTORS**

- FIG. 08-15 DISTRIBUTOR, ASM.

**DISTRIBUTOR VACUUM CONTROL**

- FIG. 08-16 VACUUM CONTROL UNIT

**COIL**

- FIG. 08-17 IGNITION COIL, ASM.

**INSTRUMENTS**

- FIG. 08-21

**SWITCHES**

- FIG. 08-18 IGNITION AND STARTER SWITCH (LEFT HAND DRIVE)  
 FIG. 08-19 IGNITION SWITCH (RIGHT HAND DRIVE)  
 FIG. 08-20 STARTER SWITCH (RIGHT HAND DRIVE)  
 FIG. 08-22 FUEL GAUGE SWITCH  
 FIG. 08-23 LIGHT SWITCH  
 FIG. 08-24 DIMMER SWITCH

**LIGHTS**

- FIG. 08-25 HEADLIGHTS (SEALED BEAM)  
 FIG. 08-26 HEADLIGHTS (TILT RAY)  
 FIG. 08-27 PARKING LIGHTS  
 FIG. 08-28 HEADLIGHT JUNCTION BLOCK  
 FIG. 08-29 TAIL LIGHT (GUIDE) (NOT FOR BODY, CODES 1610, 1617, 1618) EARLY PRODUCTION  
 FIG. 08-30 TAIL LIGHT (GROTE) (NOT FOR BODY, CODES 1610, 1617, 1618) EARLY PRODUCTION  
 FIG. 08-31 TAIL LIGHT (GUIDE) (FOR BODY, CODES 1610, 1617, 1618)  
 FIG. 08-32 TAIL LIGHT (NOT FOR BODY, CODES 1610, 1617, 1618) LATE PRODUCTION  
 FIG. 08-32A STOP AND TAIL LIGHT BRACKET AND LICENSE PLATE BRACKET (R-100, R-110, R-120, R-130 SERIES)  
 FIG. 08-32B STOP AND TAIL LIGHT BRACKET AND LICENSE PLATE BRACKET (MOUNTED ON SIDE RAIL)  
 (R-140-4x4, R-150, R-160, R-160-4x4, RC-160 SERIES)  
 FIG. 08-32C STOP AND TAIL LIGHT BRACKET AND LICENSE PLATE BRACKET (MOUNTED ON CROSSMEMBER)  
 (R-160, R-160-4x4, RC-160 SERIES)  
 FIG. 08-38 LICENSE PLATE LIGHT  
 FIG. 08-39 FRONT AXLE WARNING LIGHT (R-140-4x4 AND R-160-4x4 SERIES)

**HORNS**

- FIG. 08-33 HORN - R-100, R-110, R-120, R-130 SERIES  
 FIG. 08-34 HORN (R-140-4x4, R-160-4x4, LEFT HAND DRIVE)  
 FIG. 08-35 HORN (R-150, R-160; LEFT HAND DRIVE) (R-140-4x4, R-160-4x4, RIGHT HAND DRIVE)  
 FIG. 08-36 HORN (RC-160 SERIES)

**HORN RELAY**

- FIG. 08-37 RELAY



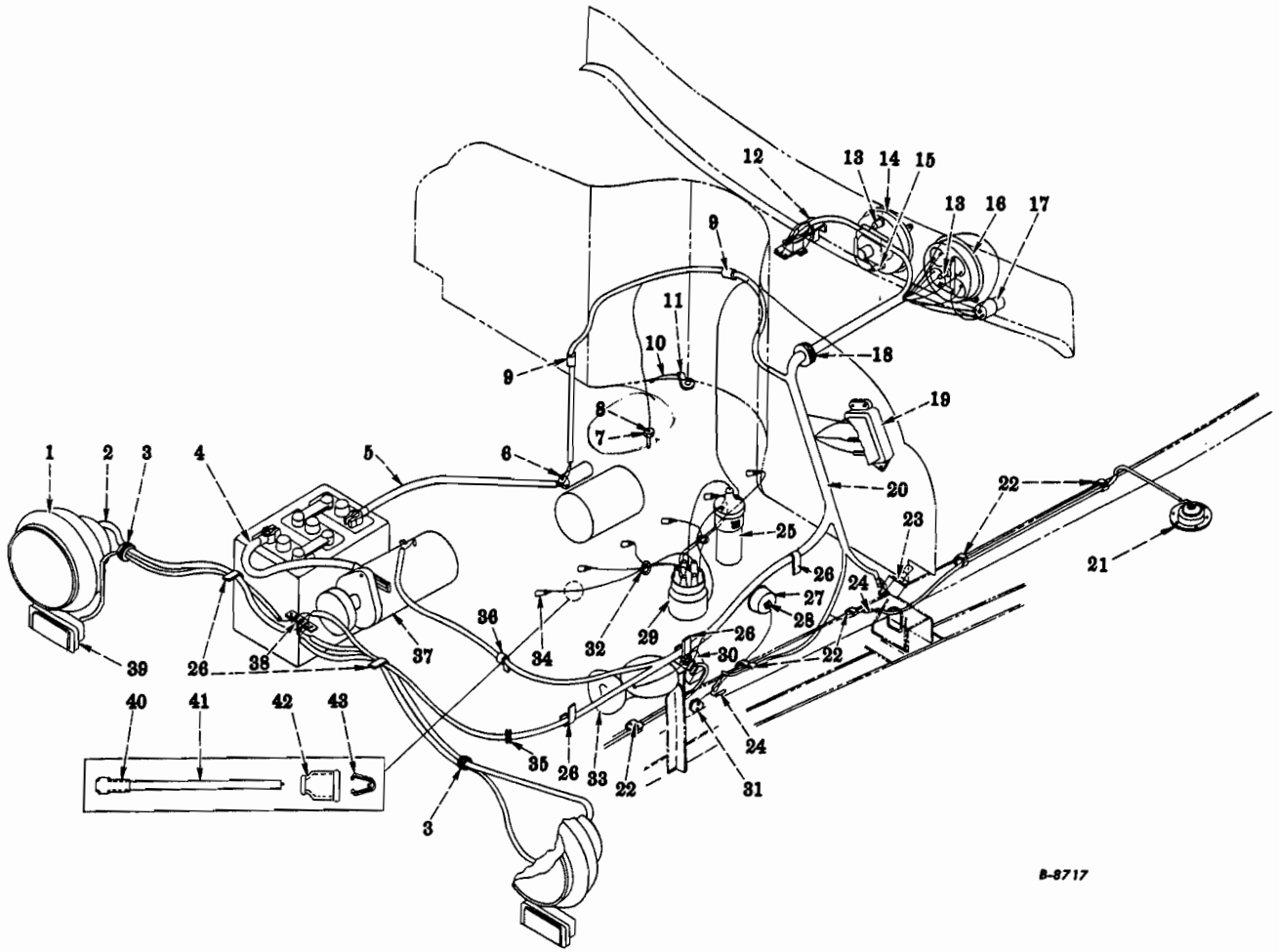
**BATTERY BOX**

- FIG. 08-40 FOR R-100, R-110, R-120, R-130 SERIES
- FIG. 08-41 6V (FOR R-140-4x4, R-150, R-160, R-160-4x4 SERIES)
- FIG. 08-42 6V (FOR RC-160 SERIES)
- FIG. 08-43 FOR 12V, WITH GASOLINE ENGINES
- FIG. 08-44 FOR 12V, WITH LPG ENGINES

**MT-97** Rev. No. 2, 7/56

**MEMORANDA**





B-8717

FIG. 08-1 – WIRING DIAGRAM  
(R-100, R-110, R-120, R-130 Series - With Left Hand Drive)

KEY	DESCRIPTION	NO. REQ'D	I H PART NUMBER
1	HEADLIGHT (SEE SEPARATE ILLUSTRATION)		
2	HARNESS (SEE SEPARATE ILLUSTRATION)		
3	GROMMET	2	77 305 H
4	CABLE		
	STD.	1	70 625 R91
	CODES 0809, 0810, 0811	1	120 786 R91
	CODES 0863, 0864	1	70 627 R91
5	CABLE	1	57 031 R91
6	MOTOR, STARTING (SEE SEPARATE ILLUSTRATION)		
7	GAUGE (ENGINE UNIT)	1	85 615 HA
8	SCREW, RD-HD., No. 8NC x 1/4"	1	132 750
	WASHER, LK., No. 8, INT.	1	138 166
9	CLIP	2	127 753

PRINTED IN UNITED STATES OF AMERICA

MT-97

GROUP 08 – ELECTRICAL SYSTEM



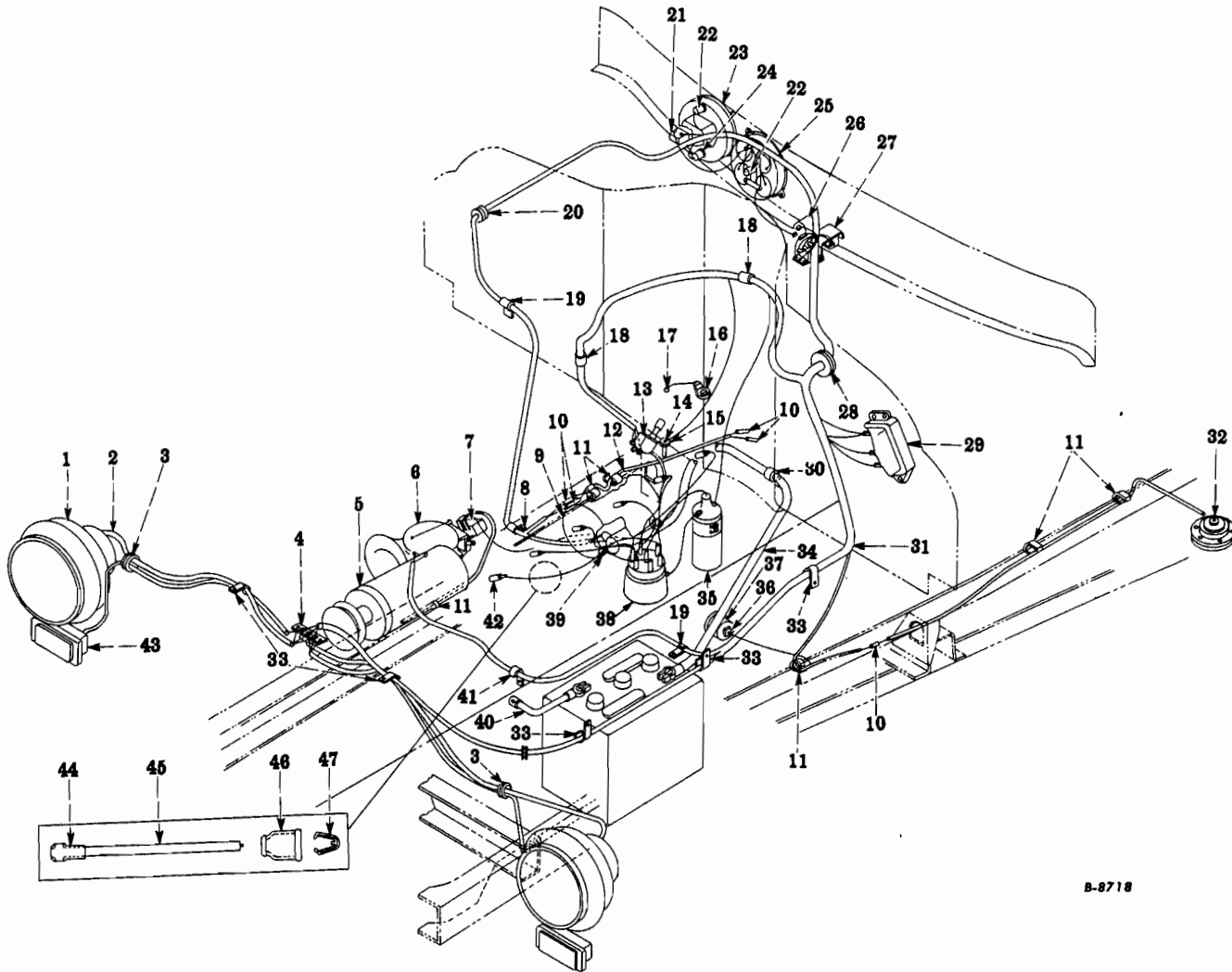
KEY	DESCRIPTION	NO. REQ'D	I H PART NUMBER
FIG. 08-1 -- WIRING DIAGRAM - Continued-			
10	CABLE, ASM.	1	103 173 HY
	SCREW, HEX-WASHER-HD., SLT., TAP., No. 10NC x 3/8", CABLE TO ADAP.	1	139 282 H
	WASHER, LK., No. 10, INT.	1	138 534
	NUT, HEX., No. 10NF	1	115 999
	SCREW, RD-HD., No. 10NF x 3/8", CABLE TO DASH PNL.	1	121 722
	WASHER, LK., No. 10, INT.	1	138 534
11	ADAPTER	1	81 104 RI
12	SWITCH (SEE SEPARATE ILLUSTRATION)		
13	LAMP (2 CP)	2	125 588
14	SPEEDOMETER (SEE GROUP 10)		
15	LAMP (1 CP)	1	115 273
16	CLUSTER (SEE SEPARATE ILLUSTRATION)		
17	SWITCH (SEE SEPARATE ILLUSTRATION)		
18	GROMMET	1	82 486 RI
19	REGULATOR (SEE SEPARATE ILLUSTRATION)		
20	HARNESS	1	96 437 R92
21	FUEL GAUGE SENDER UNIT (SEE GROUP 15)		
22	CLIP	AR	63 402 H
23	SWITCH (SEE SEPARATE ILLUSTRATION)		
24	CONNECTOR	2	46 893 H
25	COIL (SEE SEPARATE ILLUSTRATION)		
26	CLIP	5	74 365 H
	SCREW, RD-HD., No. 12 x 3/8"	5	16 600 RI
27	GAUGE	1	84 779 HB
28	SCREW, RD-HD., No. 8NC x 1/4"	1	132 750
	WASHER, LK., No. 8, INT.	1	138 166
29	DISTRIBUTOR (SEE SEPARATE ILLUSTRATION)		
30	RELAY (SEE SEPARATE ILLUSTRATION)		
31	SWITCH (SEE GROUP 4)		
32	RING	2	25 900 HO
33	HORN (SEE SEPARATE ILLUSTRATION)		
34	PLUG		
	AC-44 COMMERCIAL (COLD)	6	124 652 HA
	AC-46 COMMERCIAL (HOT)	6	77 268 R91
	AC-45 COMMERCIAL (STD.)	6	66 500 R91
	AUTO LITE A-5 (COLD)	6	61 185 R91
	AUTO LITE A-9 (HOT)	6	73 108 R91
	AUTO LITE A-7 (STD.)	6	73 107 R91
	CHAMPION J-7 (COLD)	6	108 074 HA
	CHAMPION J-11 (HOT)	6	70 673 R92
	CHAMPION J-8 (STD.)	6	645 478 R91
	GASKET	6	103 225 H
35	GROMMET	1	117 975
36	CLIP	1	101 381 H
37	GENERATOR (SEE SEPARATE ILLUSTRATION)		
38	BLOCK (SEE SEPARATE ILLUSTRATION)		
39	LIGHT (SEE SEPARATE ILLUSTRATION)		
40	TERMINAL	6	103 232 H

PRINTED IN UNITED STATES OF AMERICA



MT-97

GROUP 08 – ELECTRICAL SYSTEM



B-8718

FIG. 08-2 – WIRING DIAGRAM  
(R-100, R-110, R-120, R-130 Series - With Right Hand Drive)

KEY	DESCRIPTION	NO. REQ'D	I H PART NUMBER
1	HEADLIGHT (SEE SEPARATE ILLUSTRATION)		
2	HARNESS (SEE SEPARATE ILLUSTRATION)		
3	GROMMET	2	77 305 H
4	BLOCK (SEE SEPARATE ILLUSTRATION)		
5	GENERATOR (SEE SEPARATE ILLUSTRATION)		
6	HORN (SEE SEPARATE ILLUSTRATION)		
7	RELAY (SEE SEPARATE ILLUSTRATION)		
8	CLIP	1	140 787
	BOLT, HEX-HO., 3/8NF x 3/4"	1	182 716
	WASHER, LK., 3/8", MED.	1	103 321
	NUT, HEX., 3/8NF	1	103 026
9	MOTOR, STARTING (SEE SEPARATE ILLUSTRATION)		
10	CONNECTOR	4	46 893 H
11	CLIP	AR	63 402 H

PRINTED IN UNITED STATES OF AMERICA



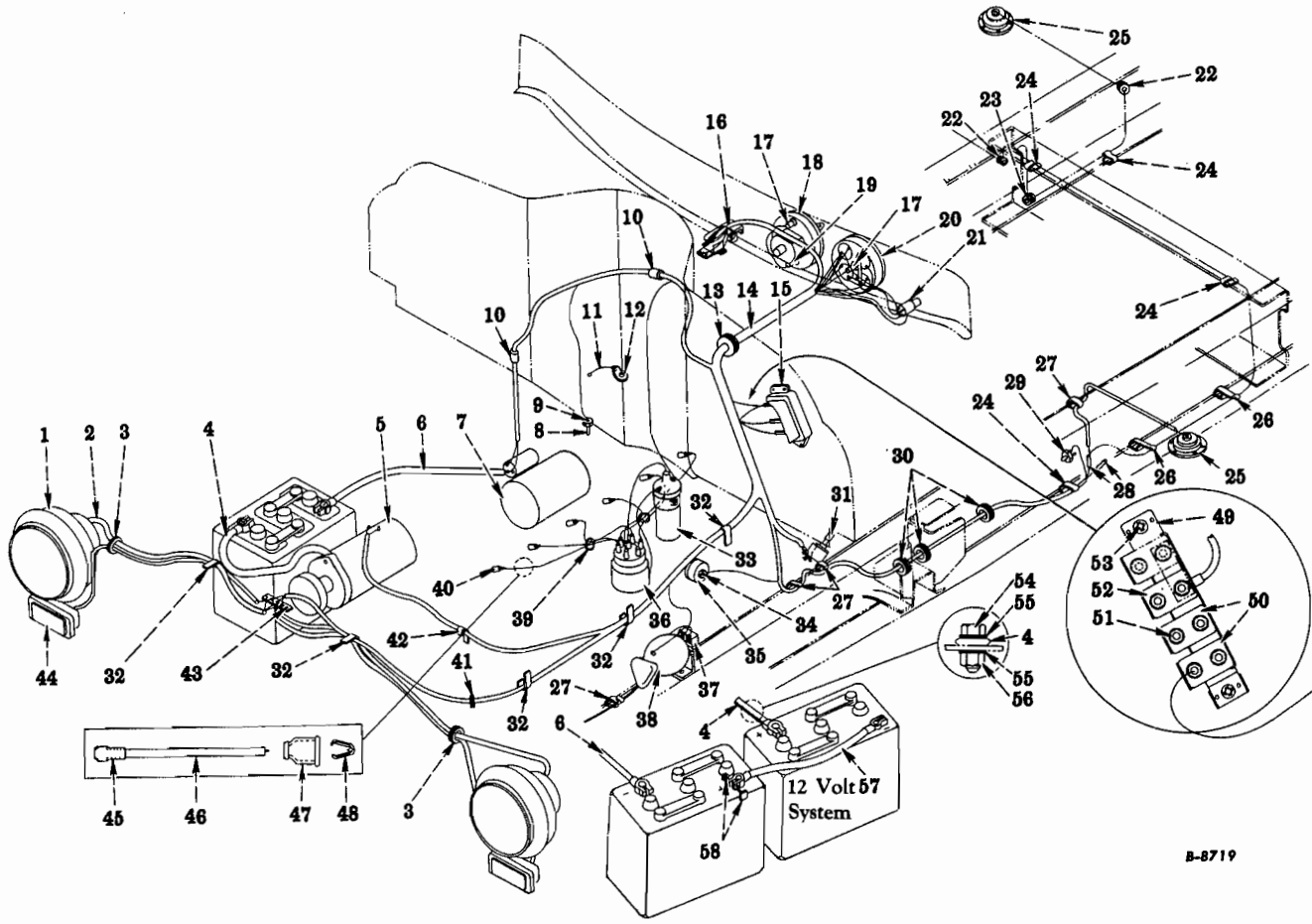
MT-97

GROUP 08 – ELECTRICAL SYSTEM



KEY	DESCRIPTION	NO. REQ'D	I H PART NUMBER
FIG. 08-2 – WIRING DIAGRAM - Continued			
12	CABLE	1	87 449 R91
13	SWITCH (SEE SEPARATE ILLUSTRATION)		
14	GAUGE (ENGINE UNIT)	1	85 615 HA
15	WASHER, LK., No. 8, INT.	1	138 166
	SCREW	1	132 750
16	ADAPTER	1	81 104 R1
17	CABLE, ASM.	1	103 173 HY
	SCREW, CABLE TO ADAPTER	1	139 282 H
	WASHER, LK., No. 10, INT.	1	138 534
	NUT, HEX., No. 10NF	1	115 999
	SCREW, RD-HD., No. 10NF x 3/8", CABLE TO DASH PANEL	1	121 722
	WASHER, LK., No. 10, INT.	1	138 534
18	CLIP	2	145 411
19	CLIP	2	100 770 H
20	GROMMET	1	84 583 R1
21	SWITCH (SEE SEPARATE ILLUSTRATION)		
22	LAMP (2 CP)	2	125 588
23	SPEEDOMETER (SEE GROUP 10)		
24	LAMP (1 CP)	1	115 273
25	CLUSTER (SEE SEPARATE ILLUSTRATION)		
26	SWITCH (SEE SEPARATE ILLUSTRATION)		
27	SWITCH (SEE SEPARATE ILLUSTRATION)		
28	GROMMET	1	82 486 R1
29	REGULATOR (SEE SEPARATE ILLUSTRATION)		
30	CLIP	1	90 414 R1
31	HARNESS	1	96 440 R92
32	FUEL GAUGE SENDER UNIT (SEE GROUP 15)		
33	CLIP	5	74 365 H
	SCREW, RD-HD., No. 12 x 3/8", SELF TAPPING	5	16 600 R1
34	CABLE, ASM.	1	70 631 R91
35	COIL (SEE SEPARATE ILLUSTRATION)		
36	SCREW, RD-HD., No. 8NC x 1/4"	1	132 750
	WASHER, LK., No. 8, INT.	1	138 166
37	GAUGE	1	84 779 HB
38	DISTRIBUTOR (SEE SEPARATE ILLUSTRATION)		
39	RING	2	25 900 HC
40	CABLE		
	STD., CODES 0810, 0811	1	57 030 R91
	CODES 0809, 1202	1	120 786 R91
41	CLIP	1	101 381 H





B-8719

FIG. 08-3 – WIRING DIAGRAM  
(R-140-4x4, R-150, R-160, R-160-4x4 Series, With Left Hand Drive)

KEY	DESCRIPTION	NO. REQ'D	I H PART NUMBER
1	HEADLIGHT (SEE SEPARATE ILLUSTRATION)		
2	HARNESS (SEE SEPARATE ILLUSTRATION)		
3	GROMMET	2	77 305 H
4	CABLE		
	6 VOLT (FOR GASOLINE AND LPG ENGINES)	1	120 786 R91
	12 VOLT		
	FOR GASOLINE ENGINES	1	70 626 R91
	FOR LPG ENGINES	1	57 028 R91
	FOR CODES 0863 AND 0864	1	70 627 R91
5	GENERATOR (SEE SEPARATE ILLUSTRATION)		
6	CABLE		
	6 VOLT (FOR GASOLINE AND LPG ENGINES)	1	57 031 R91
	12 VOLT		
	FOR GASOLINE ENGINES	1	70 632 R91
	FOR LPG ENGINES	1	57 035 R9
7	MOTOR, STARTING (SEE SEPARATE ILLUSTRATION)		

MT-97 Rev. No. 2, 7/56

GROUP 08 – ELECTRICAL SYSTEM



KEY	DESCRIPTION	NO. REQ'D	I H PART NUMBER
FIG. 08-3 – WIRING DIAGRAM - Continued			
8	GAUGE	1	85 615 HA
9	SCREW, RD-HD., SLT. No. 8NC x 1/4"	1	100 749
	WASHER, LK., No. 8, INT.	1	115 544
10	CLIP	2	127 753
11	CABLE, ASM.	1	103 173 HY
	SCREW, HEX., WASHER-HD., SLT., TAP, No. 10NC x 3/8", CABLE TO ADAP.	1	139 282 H
	WASHER, LK., No. 10, INT.	2	138 534
	SCREW, RD-HD., SLT., No. 10NF x 3/8", CABLE TO DASH PNL.	1	100 763
	NUT, HEX., No. 10NF	1	103 088
12	ADAPTER	1	81 104 RI
13	GROMMET	1	82 486 RI
14	HARNESS, ASM.	1	96 439 R92
15	REGULATOR (SEE SEPARATE ILLUSTRATION)		
16	SWITCH (SEE SEPARATE ILLUSTRATION)		
17	LAMP		
	6 VOLT, 2CP	2	125 588
	12 VOLT, 1-1/2 CP	2	127 934
18	SPEEDOMETER (SEE GROUP 10)		
19	LAMP		
	6 VOLT, 1 CP	1	115 273
	12 VOLT, 1 CP	1	131 282
20	CLUSTER (SEE SEPARATE ILLUSTRATION)		
21	SWITCH (SEE SEPARATE ILLUSTRATION)		
22	GROMMET		
	R-153	AR	42 486 H
	R-163	AR	53 324 RI
23	GROMMET	1	81 985 RI
24	CLIP	AR	63 402 H
25	GAUGE, FUEL (SEE GROUP 15)		
26	CLIP	AR	77 278 RI
27	CLIP		
	w/O FRAME REINF.	AR	63 402 H
	w/FRAME REINF.	AR	85 059 RI
28	CONNECTOR		46 893 H
29	SWITCH (SEE GROUP 04)		
30	GROMMET	3	81 986 RI
31	SWITCH (SEE SEPARATE ILLUSTRATION)		
32	CLIP	5	74 365 H
	SCREW, RD-HD., SLT., TAP, No. 12 x 3/8"	5	16 600 RI
33	COIL (SEE SEPARATE ILLUSTRATION)		

MT-97

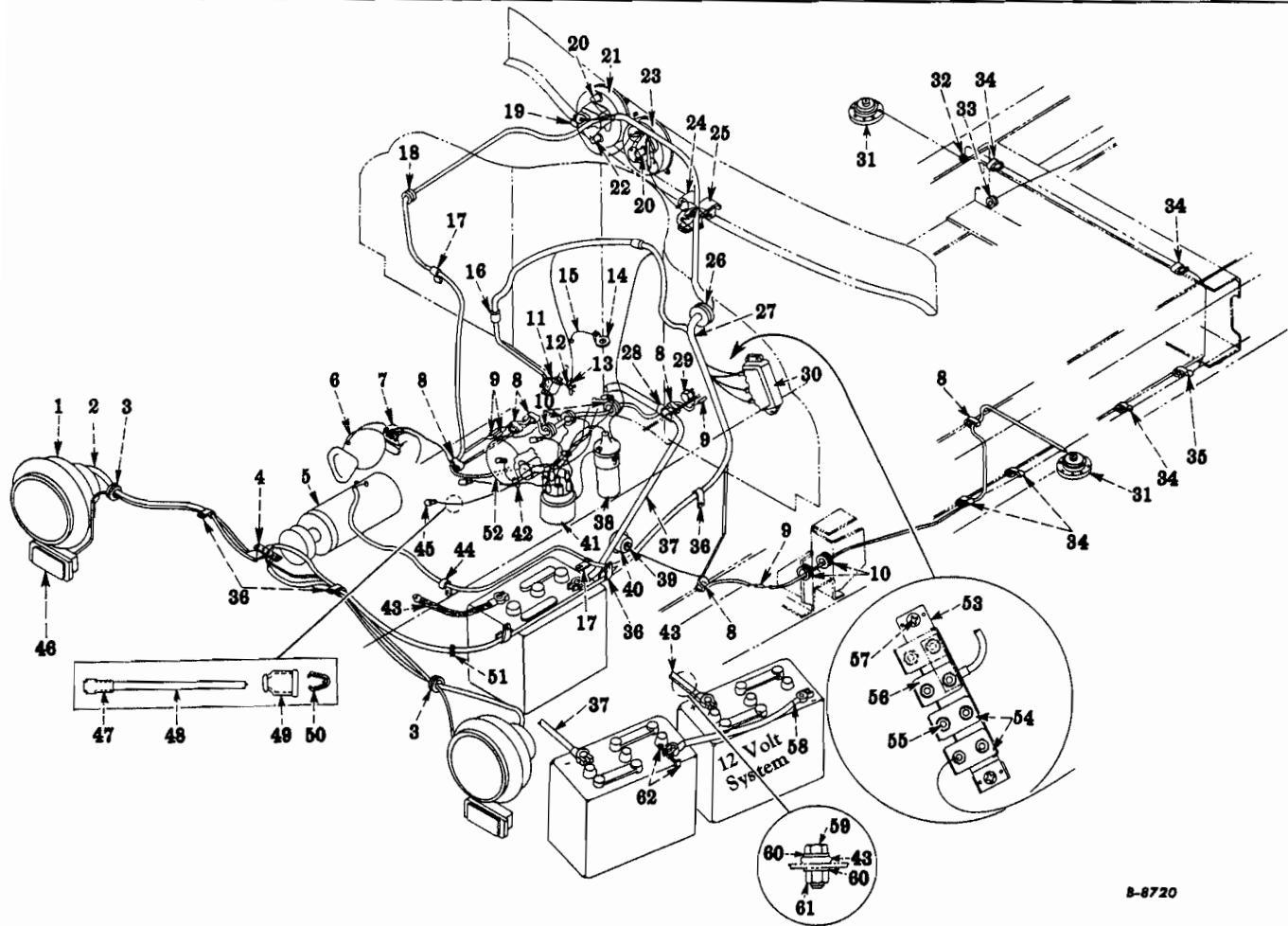
GROUP 08 – ELECTRICAL SYSTEM



KEY	DESCRIPTION	NO. REQ'D	I H PART NUMBER
FIG. 08-3 – WIRING DIAGRAM - Continued			
34	SCREW, RD-HD., SLT., No. 8NC x 1/4"	1	132 150
	WASHER, LK., No. 8, INT.	1	138 166
35	GAUGE	1	84 779 HB
36	DISTRIBUTOR (SEE SEPARATE ILLUSTRATION)		
37	RELAY (SEE SEPARATE ILLUSTRATION)		
38	HORN (SEE SEPARATE ILLUSTRATION)		
39	RING	2	25 900 H0
40	PLUG		
	AUTO LITE A-5 (COLD)	6	61 185 R91
	AUTO LITE A-9 (HOT)	6	73 108 R91
	AUTO LITE A-7 (STD.)	6	73 107 R91
	AC-44 COMMERCIAL (COLD)	6	124 652 HA
	AC-46 COMMERCIAL (HOT)	6	77 268 R91
	AC-45 COMMERCIAL (STD.)	6	66 500 R91
	CHAMPION J-7 (COLD)	6	108 074 HA
	CHAMPION J-11 (HOT)	6	70 673 R92
	CHAMPION J-8 (STD.)	6	645 478 R91
	GASKET	6	103 225 H
41	GROMMET	1	117 975
42	CLIP	1	101 381 H
43	BLOCK (SEE SEPARATE ILLUSTRATION)		
44	LIGHT (SEE SEPARATE ILLUSTRATION)		
45	TERMINAL	6	103 232 H
46	SET	1	57 000 R93
47	NIPPLE		
	COIL END	1	93 726 R1
	DISTR. END	7	120 095
48	TERMINAL	8	17 070 D
49	BREAKER, w/TERMINAL BLOCK, ASM. (USED WITH SIDE MOUNTED FUEL TANKS - CODES 1502, 1503, 1504, 1505)	1	101 386 R91
	BRACKET	1	101 385 R1
50	BLOCK, ASM.	2	84 565 R91
51	NUT, HEX., No. 10NF	6	103 088
	WASHER, LK., No. 10, INT.	6	138 534
52	BREAKER, ASM.	1	84 563 R91
53	SCREW, PAN-HD., CRS., TAP, No. 10NF x 3/8"	2	167 157
54	BOLT, HEX-HD., 3/8NF x 1"	1	182 718
55	WASHER, LK., 3/8", INT./EXT.	2	178 551
56	NUT, HEX., 3/8NF	1	103 026
57	CABLE		
	FOR GASOLINE ENGINES	1	88 939 R91
	FOR LPG ENGINES	1	144 449 HY
58	BOLT, w/NUT, ASM.	AR	26 453 HX

MT-97

GROUP 08 – ELECTRICAL SYSTEM



B-8720

FIG. 08-4 – WIRING DIAGRAM  
(R-140-4x4, R-150, R-160, R-160-4x4 Series, With Right Hand Drive)

KEY	DESCRIPTION	NO. REQ'D	I H PART NUMBER
1	HEADLIGHT (SEE SEPARATE ILLUSTRATION)		
2	HARNES (SEE SEPARATE ILLUSTRATION)		
3	GROMMET	2	77 305 H
4	BLOCK (SEE SEPARATE ILLUSTRATION)		
5	GENERATOR (SEE SEPARATE ILLUSTRATION)		
6	HORN (SEE SEPARATE ILLUSTRATION)		
7	RELAY (SEE SEPARATE ILLUSTRATION)		
8	CLIP		
	W/FRAME REINF.	AR	63 402 H
	W/O FRAME REINF.	AR	85 059 R1
9	CONNECTOR	4	46 893 H
10	GROMMET	5	81 986 R1
11	SWITCH (SEE SEPARATE ILLUSTRATION)		
12	GAUGE	1	85 615 HA
13	SCREW, RD-HD., SLT., No. 8NC x 1/4"	1	100 749
	WASHER, LK., No. 8, INT.	1	115 544

PRINTED IN UNITED STATES OF AMERICA



MT-97

GROUP 08 – ELECTRICAL SYSTEM



KEY	DESCRIPTION	NO. REQ'D	I H PART NUMBER
FIG. 08-4 – WIRING DIAGRAM - Continued			
14	ADAPTER	1	81 104 R1
15	CABLE, ASM.	1	103 173 HY
	SCREW, HEX., WASHER-HD., SLT., TAP, No. 10NC x 3/8", CABLE TO ADAPTER	1	139 282 H
	WASHER, LK., No. 10, INT.	2	138 534
	NUT, HEX., No. 10NF	1	103 088
	SCREW, RD-HD., No. 10NF x 3/8", CABLE TO DASH PANEL	1	100 763
16	CLIP	2	145 411
17	CLIP	1	100 770 H
18	GROMMET	1	84 583 R1
19	SWITCH (SEE SEPARATE ILLUSTRATION)		
20	LAMP		
	6 VOLT, 2 CP	2	125 588
	12 VOLT, 1-1/2 CP	2	127 934
21	SPEEDOMETER (SEE GROUP 10)		
22	LAMP		
	6 VOLT, 1 CP	1	115 273
	12 VOLT, 1 CP	1	131 282
23	CLUSTER (SEE SEPARATE ILLUSTRATION)		
24	SWITCH (SEE SEPARATE ILLUSTRATION)		
25	SWITCH (SEE SEPARATE ILLUSTRATION)		
26	GROMMET	1	82 486 R1
27	HARNESS	1	96 440 R92
28	CLIP	1	90 414 R1
29	SWITCH (SEE GROUP 04)		
30	REGULATOR (SEE SEPARATE ILLUSTRATION)		
31	GAUGE (SEE GROUP 15)		
32	GROMMET		
	R-153	AR	42 486 H
	R-163	AR	53 324 R1
33	GROMMET	AR	81 985 R1
34	CLIP	AR	63 402 H
35	CLIP	AR	77 278 R1
36	CLIP	5	74 365 H
	SCREW, RD-HD., SLT., TAP, No. 12 x 3/8"	5	16 600 R1
37	CABLE		
	6 VOLT (FOR GASOLINE AND LPG. ENGINES)	1	70 631 R91
	12 VOLT		
	FOR GASOLINE ENGINES	1	70 632 R91
	FOR LPG. ENGINES	1	57 035 R91
38	COIL (SEE SEPARATE ILLUSTRATION)		
39	SCREW, RD-HD., SLT., No. 8NC x 1/4"	1	100 749
	WASHER, LK., No. 8, INT.	1	115 544

MT-97

GROUP 08 – ELECTRICAL SYSTEM

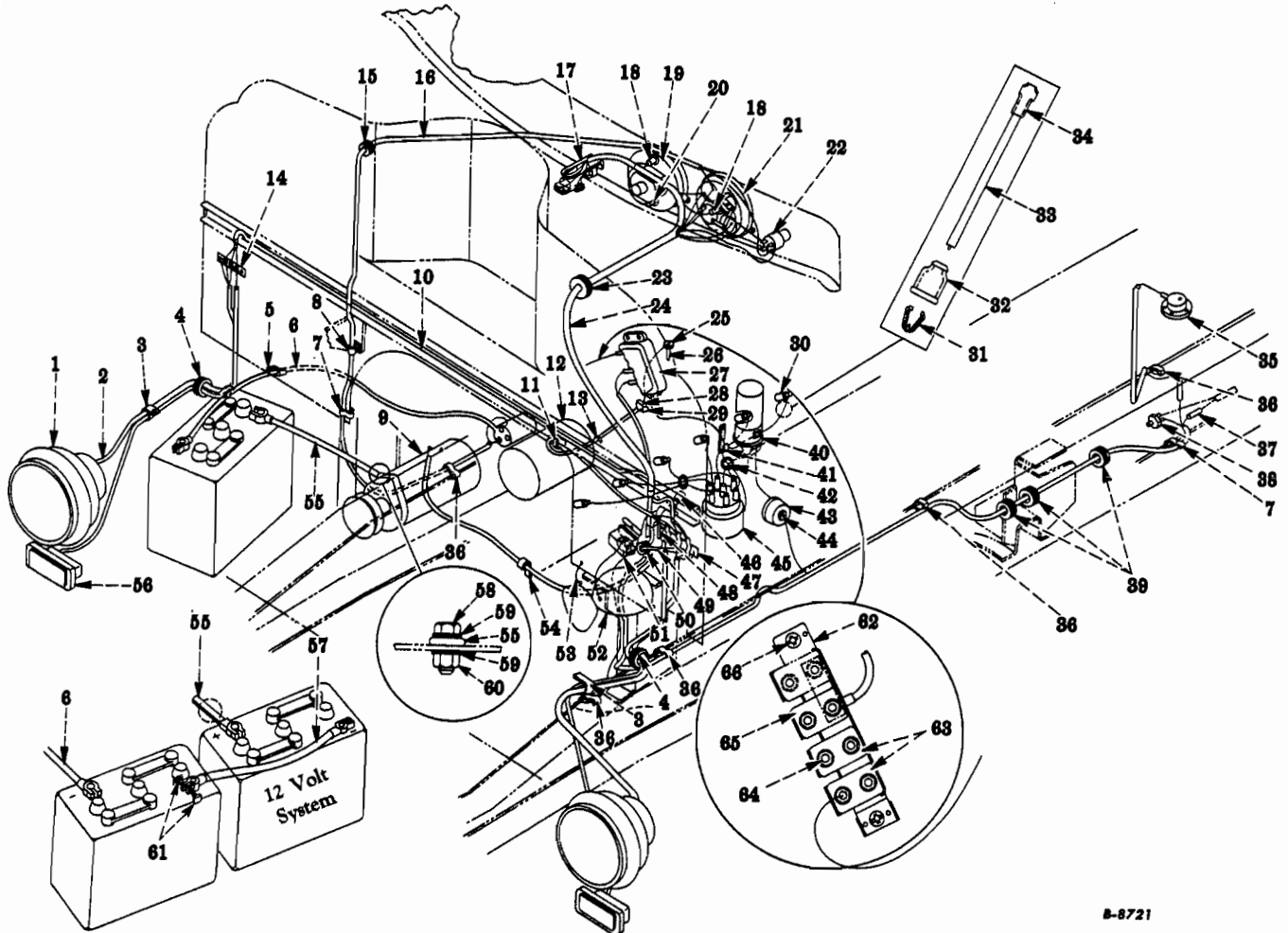


KEY	DESCRIPTION	NO. REQ'D	I H PART NUMBER
FIG. 08-4 – WIRING DIAGRAM - Continued			
40	GAUGE	1	84 779 HB
41	DISTRIBUTOR (SEE SEPARATE ILLUSTRATION)		
42	RING	2	25 900 HO
43	CABLE		
	6 VOLT (FOR GASOLINE AND LPG. ENGINES)	1	120 786 R9I
	12 VOLT		
	FOR GASOLINE ENGINES	1	70 626 R9I
	FOR LPG. ENGINES	1	57 028 R9I
44	CLIP	1	101 381 H
45	PLUG		
	AUTO LITE A-5, COLD	6	61 185 R9I
	AUTO LITE A-9, HOT	6	73 108 R9I
	AUTO LITE A-7, STD.	6	73 107 R9I
	AC-44 COMMERCIAL, COLD	6	124 652 HA
	AC-46 COMMERCIAL, HOT	6	77 268 R9I
	AC-45 COMMERCIAL, STD.	6	66 500 R9I
	CHAMPION J-7, COLD	6	108 074 HA
	CHAMPION J-11, HOT	6	70 673 R92
	CHAMPION J-8, STD.	6	645 478 R9I
	GASKET	6	103 225
46	LIGHT (SEE SEPARATE ILLUSTRATION)		
47	TERMINAL	6	103 232 H
48	SET	1	57 000 R93
49	NIPPLE		
	COIL END	1	93 726 R1
	DISTRIBUTOR END	7	120 095
50	TERMINAL	8	17 070 D
51	GROMMET	1	117 975
52	MOTOR, STARTING (SEE SEPARATE ILLUSTRATION)		
53	BREAKER, w/TERMINAL BLOCK, ASM. (USED WITH SIDE MOUNTED FUEL TANKS, CODES 1502, 1503, 1504, 1505)	1	101 386 R9I
	BRACKET	1	101 385 R1
54	BLOCK, ASM.	2	84 565 R9I
55	NUT, HEX., No. 10NF	6	103 088
	WASHER, LK., No. 10, INT.	6	138 534
56	BREAKER, ASM.	1	84 563 R9I
57	SCREW; PAN-HD., CRS., TAP, No. 10NF x 3/8"	2	167 157
58	CABLE		
	FOR GASOLINE ENGINES	1	88 939 R9I
	FOR LPG. ENGINES	1	144 449 HY
59	BOLT, HEX-HD., 3/8NF x 1"	1	182 718
60	WASHER, LK., 3/8", INT./EXT.	2	178 551
61	NUT, HEX., 3/8NF	1	103 026
62	BOLT, w/NUT, ASM.	AR	26 453 HX



MT-97

GROUP 08 – ELECTRICAL SYSTEM



B-8721

FIG. 08-5 – WIRING DIAGRAM  
(RC-160 Series)

KEY	DESCRIPTION	NO. REQ'D	I H PART NUMBER
1	HEADLIGHT (SEE SEPARATE ILLUSTRATION)		
2	HARNESS (SEE SEPARATE ILLUSTRATION)		
3	CLIP	2	88 398 R1
4	GROMMET	2	77 305 H
5	CLIP	1	74 365 H
6	CABLE		
	6 VOLT	1	57 034 R91
	12 VOLT	1	57 035 R91
7	CLIP	AR	63 402 H
8	CLIP	1	101 308 H
9	GENERATOR (SEE SEPARATE ILLUSTRATION)		
10	HARNESS, ASM.	1	87 901 R92
11	CLIP	1	632 692
12	MOTOR, STARTING (SEE SEPARATE ILLUSTRATION)		
13	CLIP	1	100 770 H
14	BLOCK (SEE SEPARATE ILLUSTRATION)		
15	GROMMET	1	84 583 R1

PRINTED IN UNITED STATES OF AMERICA

MT-97

GROUP 08 - ELECTRICAL SYSTEM



KEY	DESCRIPTION	NO. REQ'D	I H PART NUMBER
FIG. 08-5 - WIRING DIAGRAM - Continued			
16	HARNESS, ASM.	1	87 903 R92
17	SWITCH (SEE SEPARATE ILLUSTRATION)		
18	LAMP		
	6 VOLT, 2 CP	2	125 588
	12 VOLT, 1-1/2 CP	2	127 934
19	SPEEDOMETER (SEE GROUP 10)		
20	LAMP		
	6 VOLT, 1 CP	1	115 273
	12 VOLT, 1 CP	1	131 282
21	CLUSTER (SEE SEPARATE ILLUSTRATION)		
22	SWITCH (SEE SEPARATE ILLUSTRATION)		
23	GROMMET	1	82 486 R1
24	HARNESS, ASM.	1	97 255 R92
25	SCREW, RD-HD., SLT., No. 8NC x 1/4"	1	100 749
	WASHER, LK., No. 8, INT.	1	115 544
26	GAUGE	1	85 615 HA
27	REGULATOR (SEE SEPARATE ILLUSTRATION)		
28	GROMMET	1	117 957
29	BRACKET	1	88 082 R1
30	PLUG		
	AUTO LITE A-5, COLD	6	61 185 R91
	AUTO LITE A-9, HOT	6	73 108 R91
	AUTO LITE A-7, STD.	6	73 107 R91
	AC-44 COMMERCIAL, COLD	6	124 652 HA
	AC-46 COMMERCIAL, HOT	6	77 268 R91
	AC-45 COMMERCIAL, STD.	6	66 500 R91
	CHAMPION J-7, COLD	6	108 074 HA
	CHAMPION J-11, HOT	6	70 673 R92
	CHAMPION J-8, STD.	6	645 478 R91
	GASKET	6	103 225 H
31	TERMINAL	8	17 070 D
32	NIPPLE		
	COIL END	1	93 726 R1
	DISTR. END	7	120 095
33	SET	1	57 000 R93
34	TERMINAL	6	103 232 H
35	GAUGE, FUEL (SEE GROUP 15)		
36	CLIP		
	W/FRAME REINF.	AR	85 059 R1
	W/O FRAME REINF.	AR	63 402 H
37	CONNECTOR	2	46 893 H
38	SWITCH (SEE GROUP 04)		
39	GROMMET	3	81 986 R1

PRINTED IN UNITED STATES OF AMERICA

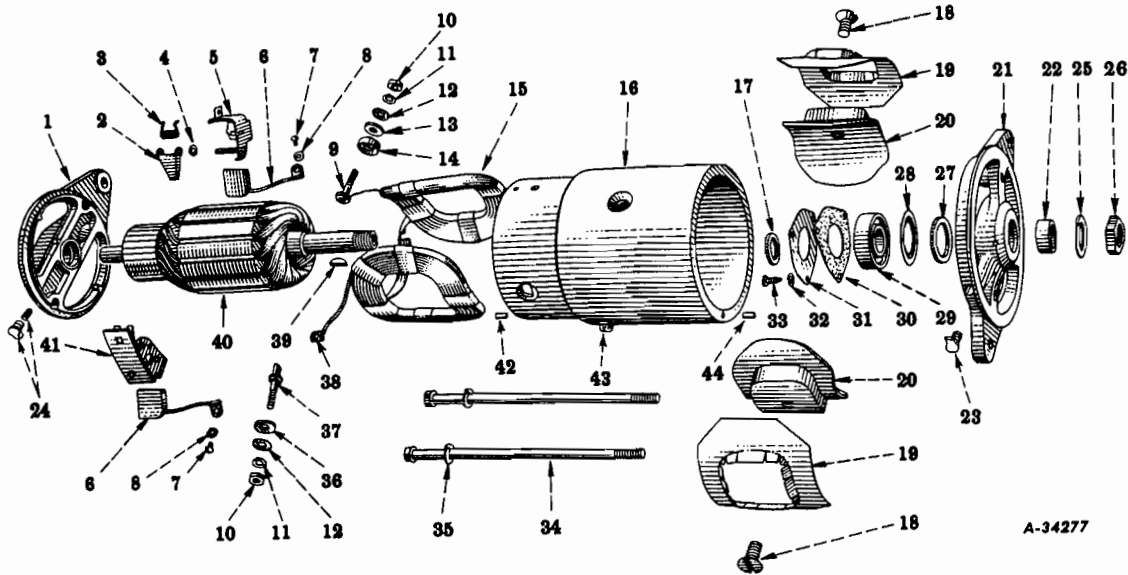
MT-97

GROUP 08 – ELECTRICAL SYSTEM



KEY	DESCRIPTION	NO. REQ'D	I H PART NUMBER
FIG. 08-5 – WIRING DIAGRAM - Continued			
40	COIL (SEE SEPARATE ILLUSTRATION)		
41	CLIP	1	103 213 H
42	RING	2	25 900 HO
43	GAUGE	1	84 779 HB
44	SCREW, RD-HD., SLT., NO. 8NC x 1/4"	1	100 749
	WASHER, LK., NO. 8, INT.	1	115 544
45	DISTRIBUTOR (SEE SEPARATE ILLUSTRATION)		
46	SWITCH (SEE SEPARATE ILLUSTRATION)		
47	BLOCK	1	58 432 R91
	SCREW		
	w/WASHER, ASM.	1	424 335
	w/WASHER, ASM.	1	424 337
48	BLOCK	1	1 464 Y
49	HARNESS, ASM.	1	97 257 R91
50	GROMMET	1	36 080 H
51	RELAY (SEE SEPARATE ILLUSTRATION)		
52	HORN (SEE SEPARATE ILLUSTRATION)		
53	CABLE, ASM.	1	103 173 HY
	SCREW, HEX., WASHER-HD., SLT., TAP, NO. 10NC x 3/8"	1	139 282 H
	WASHER, LK., NO. 10	1	138 534
	BOLT, HEX-HD., 1/4NF x 3/4"	1	182 654
	NUT, HEX., 1/4NF	1	103 024
	WASHER, LK., 1/4", INT./ EXT.	1	174 916
54	CLIP	1	101 381 H
55	CABLE	1	70 626 R91
56	LIGHT (SEE SEPARATE ILLUSTRATION)		
57	CABLE	1	58 939 R91
58	BOLT, HEX-HD., 3/8NF x 1"	1	182 718
59	WASHER, LK., 3/8", INT./ EXT.	2	178 551
60	NUT, HEX., 3/8NF	1	103 026
61	BOLT, w/NUT, ASM.	AR	26 453 HX
62	BREAKER, w/TERMINAL BLOCK, ASM. (USED WITH SIDE MOUNTED FUEL TANKS, CODES 1502, 1503, 1504, 1505)	1	101 386 R91
	BRACKET	1	101 385 R91
63	BLOCK, ASM.	2	84 565 R91
64	NUT, HEX., NO. 10NF	6	103 088
	WASHER, LK., NO. 10, INT.	6	138 534
65	BREAKER, ASM.	1	84 563 R91
66	SCREW, PAN-HD., CRS., TAP, NO. 10NF x 3/8"	2	167 157

GROUP 08 – ELECTRICAL SYSTEM



A-34277

FIG. 08-6 – GENERATOR (6 Volt, 35 Amp., Standard; 6 Volt, 40 Amp., Standard; And 12 Volt, 30 Amp., Code 0814)

KEY	DESCRIPTION	NO. REQ'D			DELCO-REMY PART NUMBER
		GENERATOR			
		1 100 031	1 100 019	1 102 005	
	GENERATOR, ASM.				
	6 VOLT, 40 AMP.	1			1100031
	6 VOLT, 35 AMP.		1		1100019
	12 VOLT, 30 AMP.			1	1102005
1	FRAME	1	1	1	1923069
2	ARM	2	2	2	1878183
3	SPRING	2	2	2	1908829
4	WASHER	2	2	2	1857412
5	HOLDER	1	1	1	1922288
6	BRUSH, ASM.	2	2	2	1923295
7	SCREW, RD-HD., No. 6NC x 1/4"	2	2	2	(*) 132 688
8	WASHER, LK., No. 6	2	2	2	1904377
9	STUD	1	1	1	1921860
10	NUT, HEX., No. 12NC	4	4	4	(*) 103 089
11	WASHER, LK.	4	4	4	1904661
12	WASHER, FL.	2	2	2	1881409
13	WASHER	1	1	1	1858753
14	BUSHING	1	1	1	1885090
15	COIL, ASM.				
	GEN. 1100031	1			1925691
	GEN. 1100019		1		1921356
	GEN. 1102005			1	1922701
	NOT SERVICED SEPARATELY				
17	WASHER		1	1	809945
18	SCREW		2	2	1843646
					(*) I H PART NUMBER

PRINTED IN UNITED STATES OF AMERICA

MT-97 Rev. No. 2, 7/56

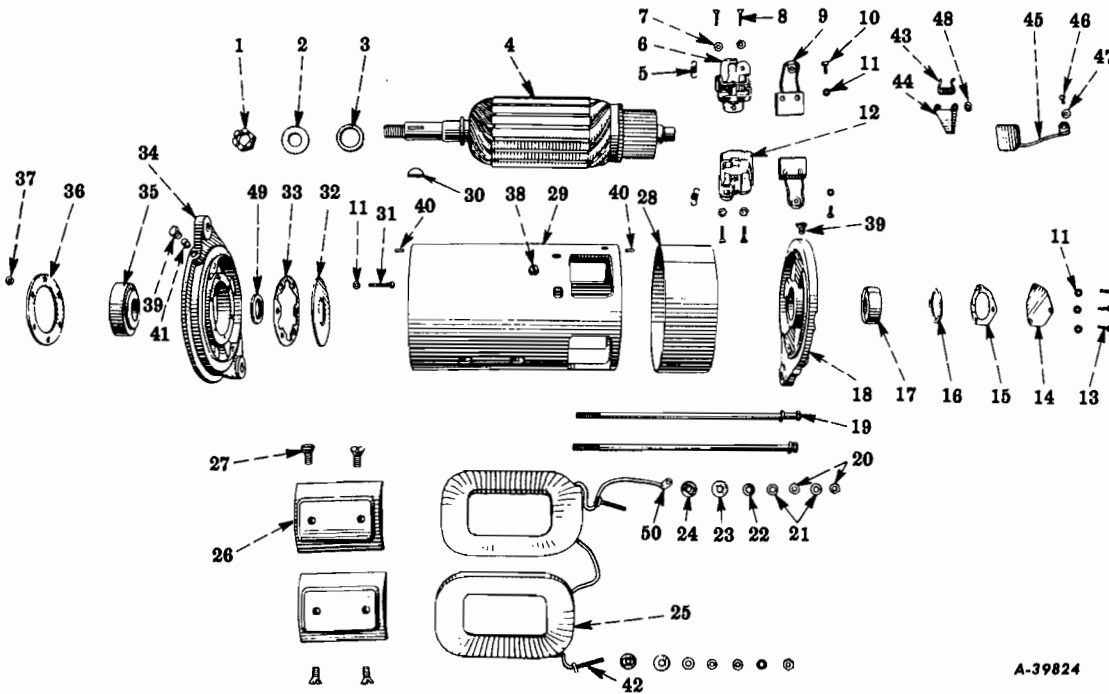


GROUP 08 – ELECTRICAL SYSTEM

KEY	DESCRIPTION	NO. REQ'D			DELCO-REMY PART NUMBER
		GENERATOR			
		1 100 031	1 100 019	1 102 005	
FIG. 08-6 – GENERATOR (6 Volt, 35 Amp., Standard, 6 Volt, 40 Amp., Standard, And 12 Volt, 30 Amp., Code 0814) - Continued					
19	INSULATOR				
	GEN. 1100031	2			1914491
	GEN. 1100019		2		1914491
	GEN. 1102005			2	1912073
20	SHOE				
	GEN. 1100031	2			1914618
	GEN. 1100019		2		1914618
	GEN. 1102005			2	1912725
21	FRAME	1	1	1	1910404
22	COLLAR	1	1	1	1858603
23	OILER	1	1	1	* 125 609
24	OILER	1	1	1	* 113 702
	WICK	1	1	1	804080
25	WASHER, LK.	1	1	1	804000
26	NUT	1	1	1	806915
27	WASHER	1	1	1	809961
28	PLATE	1	1	1	819104
29	BEARING	1	1	1	* ST 262
30	GASKET	1	1	1	1912008
31	PLATE	1	1	1	1911263
32	WASHER	1	3	3	1880781
33	SCREW	1	3	3	1904370
34	BOLT				
	GEN. 1100031	2			815018
	GEN. 1100019		2		815018
	GEN. 1102005			2	809763
35	WASHER, LK., 5/16", MED.	2	2	2	* 103 320
36	BUSHING	1	1	1	1921362
37	STUD	1	1	1	1921369
38	CLIP	1	1	1	200382
39	KEY, WOODRUFF, 1/8 x 5/8"	1	1	1	* 124 545
40	ARMATURE, ASM.				
	GEN. 1100031	1			1929558
	GEN. 1100019		1		1921351
	GEN. 1102005			1	1923535
41	HOLDER (INSULATED)	1	1	1	1922289
42	PIN	1	1	1	809062
43	SCREW, FIL-HD., 1/4NF x 5/16"	1	1	1	* 225 575
	WASHER, LK., 1/4", MED.	1	1	1	* 103 319
44	PIN	1	1	1	809593
					* I H PART NUMBER

MT-97 Rev. No. 2, 7/56

GROUP 08 - ELECTRICAL SYSTEM



A-39824

FIG. 08-7 - GENERATOR (6 Volt, 40 And 45 Amp., Code 0810; 6 Volt, 40 Amp., L.S.C.I., Code 0863; 6 Volt, 50 Amp., Code 0864; 6 Volt, 50 And 55 Amp., Code 0811; 12 Volt, 50 Amp., Code 0812)

KEY	DESCRIPTION	GENERATORS					DELCO-REMY PART NUMBER
		6 VOLT 50 AMP.	6 VOLT 40 & 45 AMP.	6 VOLT 40 AMP. L. S. C. I.	6 VOLT 50 & 55 AMP.	12 VOLT 50 AMP.	
	GENERATOR, ASM.						
	CODE 0810		X				1106758
	CODE 0863			X			1105009
	CODE 0811				X		1106757
	CODE 0812					X	1106822
	CODE 0864	X					1105008
1	NUT, HEX., 5/8"		X		X	X	(*) 125 384
	NUT, HEX., 5/8" SLT.	X		X			806915
2	WASHER, D.E., FL.		X		X	X	1872618
	LK.	X		X			804000
3	COLLAR						
			X		X	X	1910035
		X		X			1858603
							(*) - IH PART NUMBER

PRINTED IN UNITED STATES OF AMERICA





GROUP 08 - ELECTRICAL SYSTEM

KEY	DESCRIPTION	GENERATORS					DELCO-REMY PART NUMBER
		6 VOLT 50 AMP.	6 VOLT 40 & 45 AMP.	6 VOLT 40 AMP. L. S. C. I.	6 VOLT 50 & 55 AMP.	12 VOLT 50 AMP.	
FIG. 08-7 - GENERATOR (6 Volt, 40 And 45 Amp., Code 0810; 6 Volt, 40 Amp., L.S.C.I., Code 0863; 6 Volt, 50 Amp. Code 0864; 6 Volt, 50 And 55 Amp., Code 0811; 12 Volt, 50 Amp., Code 0812) - Continued							
4	ARMATURE		X				1909996
				X			1925630
					X	X	1910073
		X					1925556
5	SPRING		X		X	X	1910033
6	HOLDER (GROUNDED)		X		X	X	1909993
7	NUT		X		X	X	5024654
8	SCREW, FIL-HD., No. 10 x 3/4"		X		X	X	(*) 120 757
9	BRUSH, ASM.		X		X	X	1906911
10	SCREW, FIL-HD., No. 10NF x 3/8"		X		X	X	(*) 132 105
11	WASHER, LK., No. 10, MED.						
			X		X	X	(*) 120 217
		X		X			1880781
12	HOLDER, INSULATED		X		X	X	1909989
13	SCREW		X		X	X	1904370
14	PLATE, C.E. COVER		X		X	X	1910039
15	GASKET, C.E. COVER PLATE		X		X	X	1835457
16	WASHER		X		X	X	1888761
17	BEARING, C.E.	X	X	X	X	X	(*) 143 323 H
18	FRAME, C.E.						
			X		X	X	1914501
		X		X			1925627
19	BOLT						
			X		X	X	1872411
		X		X			1845053
	WASHER, LK., 5/16", MED.		X	X	X	X	(*) 120 638
20	NUT, HEX., 1/4NC CAD.		X		X	X	(*) 134 551
	No. 12NC CAD.	X		X			(*) 121 743
21	WASHER, LK., TERM. STUD						
			X		X	X	1874495
		X		X			1904661
22	WASHER, FL., TERM. STUD						
			X		X	X	1905125
		X		X			1881409
23	WASHER, INSULATING, TERM. STUD	X	X	X	X	X	1902746
24	BUSHING, INSULATING, TERM. STUD						
			X		X	X	1909995
		X		X			1885090
							(*) - IH PART NUMBER

MT-97 Rev. No. 2, 7/56

GROUP 08 – ELECTRICAL SYSTEM



KEY	DESCRIPTION	GENERATORS					DELCO-REMY PART NUMBER
		6 VOLT 50 AMP.	6 VOLT 40 & 45 AMP.	6 VOLT 40 AMP. L. S. C. I.	6 VOLT 50 & 55 AMP.	12 VOLT 50 AMP.	
FIG. 08-7 – GENERATOR (6 Volt, 40 And 45 Amp., Code 0810; 6 Volt, 40 Amp., L.S.C.I., Code 0863; 6 Volt, 50 Amp., Code 0864; 6 Volt, 50 And 55 Amp., Code 0811; 12 Volt, 50 Amp., Code 0812) – Continued							
25	COIL, FIELD ASM., LT.		X		X		1910071
		X		X			1918003
						X	1909986
	COIL, FIELD ASM., RT.		X				1911069
		X		X			1918002
					X		1910072
						X	1909984
26	SHOE, POLE		X		X	X	1909982
		X		X			1918004
27	SCREW	X	X	X	X	X	1883864
28	BAND, COVER		X		X	X	1910011
		X		X			1918012
29	NOT SERVICED SEPARATELY						
30	KEY, WOODRUFF		X		X	X	⊛ 124 548
	5/32 x 3/4"		X		X		⊛ 124 545
	1/8 x 5/8"	X		X			
31	SCREW, BRG. RET. PLATE		X		X	X	1900682
		X		X			1904370
32	PLATE, BRG. RET., D.E.		X		X	X	1910015
		X		X			1911263
33	GASKET, D.E. BRG.		X		X	X	1910014
		X		X			1912008
34	FRAME, D.E.		X		X	X	1910013
		X		X			1883156
35	BEARING, D.E.		X		X	X	⊛ 77 854 H
		X		X			⊛ ST 262
36	PLATE, BRG. RET., D.E., OTR.		X		X	X	1910283
	FELT WASHER RET.	X		X			819104
	WASHER, FELT D.E., OTR.	X		X			809961
37	NUT, HEX., No. 10NF		X		X	X	⊛ 103 088
							⊛ - 1H PART NUMBER

PRINTED IN UNITED STATES OF AMERICA





GROUP 08 - ELECTRICAL SYSTEM

KEY	DESCRIPTION	GENERATORS					DELCO-REMY PART NUMBER
		6 VOLT 50 AMP.	6 VOLT 40 & 45 AMP.	6 VOLT 40 AMP. L. S. C. I.	6 VOLT 50 & 55 AMP.	12 VOLT 50 AMP.	
FIG. 08-7 - GENERATOR (6 Volt, 40 And 45 Amp., Code 0810; 6 Volt, 40 Amp., L.S.C.I., Code 0863; 6 Volt, 50 Amp., Code 0864; 6 Volt, 50 And 55 Amp., Code 0811; 12 Volt, 50 Amp., Code 0812) - Continued							
38	SCREW, FIL-HD. 1/4NC x 5/16"		X		X	X	(*) 132 243
	1/4NC x 3/8"	X		X			(*) 131 238
	WASHER, LK., 1/4", MED.	X	X	X	X	X	(*) 103 319
39	OILER, D.E. AND C.E.		X		X	X	(*) 113 702
		X		X			(*) 125 609
40	PIN, DOWEL	X	X	X	X	X	809062
41	WICK, DIL, C.E.		X		X	X	29047
		X		X			804080
42	STUD, TERM.		X		X	X	1909988
		X		X			1858751
43	SPRING, BRUSH	X		X			1878184
44	ARM, BRUSH	X		X			1878183
45	BRUSH, ASM.	X		X			1906931
46	SCREW, BRUSH LEAD	X		X			(*) 141 541
47	WASHER, LK., BRUSH LEAD	X		X			1904377
48	WASHER, SPACER	X		X			1857412
49	WASHER, SPACER, D.E.	X		X			809945
50	CLIP, TERM. LEAD	X	X	X	X	X	200182
							(*) - IH PART NUMBER

GROUP 08 – ELECTRICAL SYSTEM

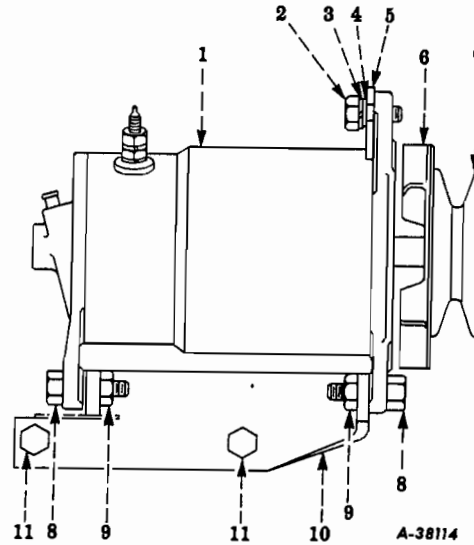


FIG. 08-8 – GENERATOR BRACKET AND DRIVE  
 (6 Volt, 35 Amp., Standard, 6 Volt, 40 Amp. Standard;  
 And 12 Volt, 30 Amp., Code 0814)

KEY	DESCRIPTION	DELCO-REMY PART NUMBER
1	GENERATOR (SEE SEPARATE ILLUSTRATION)	
2	BOLT, HEX-HD., 5/16NC x 3/4"	181 086
3	WASHER, LK., 5/16", MED.	103 320
4	WASHER, FL., 5/16"	120 393
5	STRAP	
	6 VOLT	85 089 R2
	12 VOLT	76 611 R1
6	FAN	⊛ 1866400
	SCREW, RD-HD., No. 12NC x 3/8"	100 776
	WASHER, LK.; No. 12, LIGHT	118 874
	FAN, w/BAFFLE, FOR CODE 0810	⊛ 1910036
7	PULLEY	
	6V, 35 AMP., AND CODE 0814	⊛ 1882476
	CODE 0810	⊛ 1913608
8	BOLT, HEX-HD., 5/16NF x 1-1/4"	182 691
9	NUT, LK., 5/16NF	144 418 H
10	BRACKET	
	6 VOLT	117 806 R1
	12 VOLT	85 090 R1
	6 VOLT, 40 AND 45 AMP.	76 610 R1
11	BOLT, HEX-HD., 7/16NC x 1"	181 137
	WASHER, LK., 7/16", MED.	103 322

⊛ - DELCO-REMY PART NO.

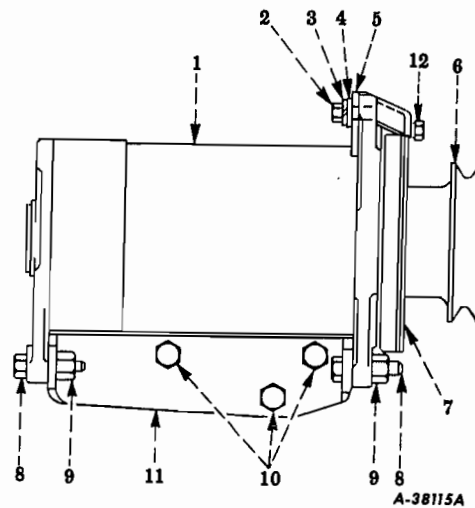


FIG. 08-9 – GENERATOR BRACKET AND DRIVE (6 Volt, 40 Amp. LSCI, Code 0863;  
6 Volt, 50 And 55 Amp., Code 0811; 6 Volt, 50 amp., Code 0864;  
12 Volt, 50 Amp., Code 0812)

KEY	DESCRIPTION	I H PART NUMBER
1	GENERATOR (SEE SEPARATE ILLUSTRATION)	
2	BOLT, HEX-HD., 3/8NC x 1"	181 112
3	WASHER, LK., 3/8", MED.	103 321
4	WASHER, FL., 3/8"	120 394
5	STRAP	76 611 RI
6	PULLEY, w/FAN AND BAFFLE, ASM. CODES 0811, 0812	* 1913610
	PULLEY, w/o FAN AND BAFFLE, FOR CODES 0863, 0864	* 1917945
7	FAN, w/BAFFLE, ASM., FOR CODES 0811, 0812	* 1910036
	SCREW, RD-HD., No. 12NC x 3/8"	100 776
	WASHER, LK., No. 12, LGT.	118 874
	FAN, ASM., FOR CODES 0863, 0864	* 1880558
	BAFFLE, FOR CODES 0863, 0864	* 1880946
8	BOLT, HEX-HD., 7/16NF x 1-3/4"	182 757
9	NUT, HEX., LK., 7/16NF	144 420 H
10	BOLT, HEX-HD., 7/16NC x 1-1/8"	181 138
	WASHER, LK., 7/16", MED.	103 322
11	BRACKET FOR CODES 0811, 0812	76 610 RI
	FOR CODES 0863, 0864	69 690 RI
12	BOLT, HEX-HD., 3/8NC x 3/4"	181 108
		* - DELCO-REMY PART NO.

GROUP 08 – ELECTRICAL SYSTEM

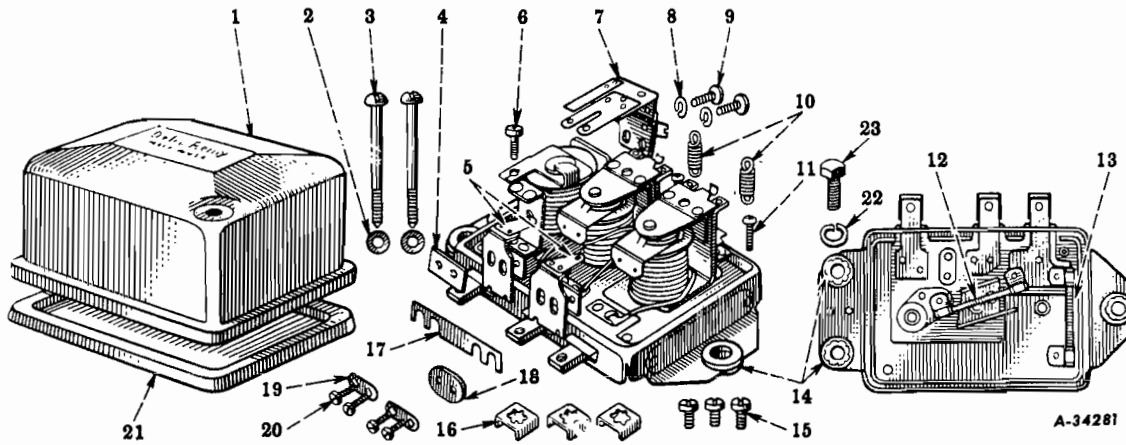


FIG. 08-10 – REGULATOR

KEY	DESCRIPTION	DELCO-REMY PART NUMBER
	REGULATOR, ASM.	
	6 VOLT, 35 AMP., STD.	Ⓐ 1118841
	6 VOLT, 40 AMP., STD.	1118382
	6 VOLT, 40 AND 45 AMP., CODE 0810	ⓓ 1118834
	6 VOLT, 50 AMP., CODE 0811, AND CODE 0864	Ⓣ 1118854
	6 VDLT, 55 AMP., CODE 0811	1118832
	12 VOLT, 50 AMP., CODE 0812	Ⓢ 1118838
	12 VOLT, 30 AMP., CODE 0814	1118839
	6 VOLT, 40 AMP., CODE 0863	1118830
1	COVER	1878514
2	WASHER	1922996
3	SCREW	1878499
4	INSULATOR	1878507
5	BRACKET, w/POINT, ASM.	1878517
6	SCREW	1912159
7	ARMATURE	
	6 VOLT, 35 AMP., 6 VOLT, 40 AMP., STD., 6 VOLT, 40 AMP., LSC1, AND 12 VOLT, 30 AMP.	1878467
	6 VOLT, 40 AMP., CODE 0810, 6 VOLT, 45, 50, 55, AMP., AND 12 VOLT, 50 AMP.	1912795
8	WASHER	1904377
9	SCREW	
	NOT FOR 1118382 REG.	1924764
	FOR 1118382 REG.	1904817
10	SPRING	1912176
11	SCREW	1922408
	Ⓐ - WILL WORK FOR 1118731	
	ⓓ - WILL WORK FOR 1118366	
	Ⓣ - WILL WORK FOR 1118333	
	Ⓢ - WILL WORK FOR 1118368	

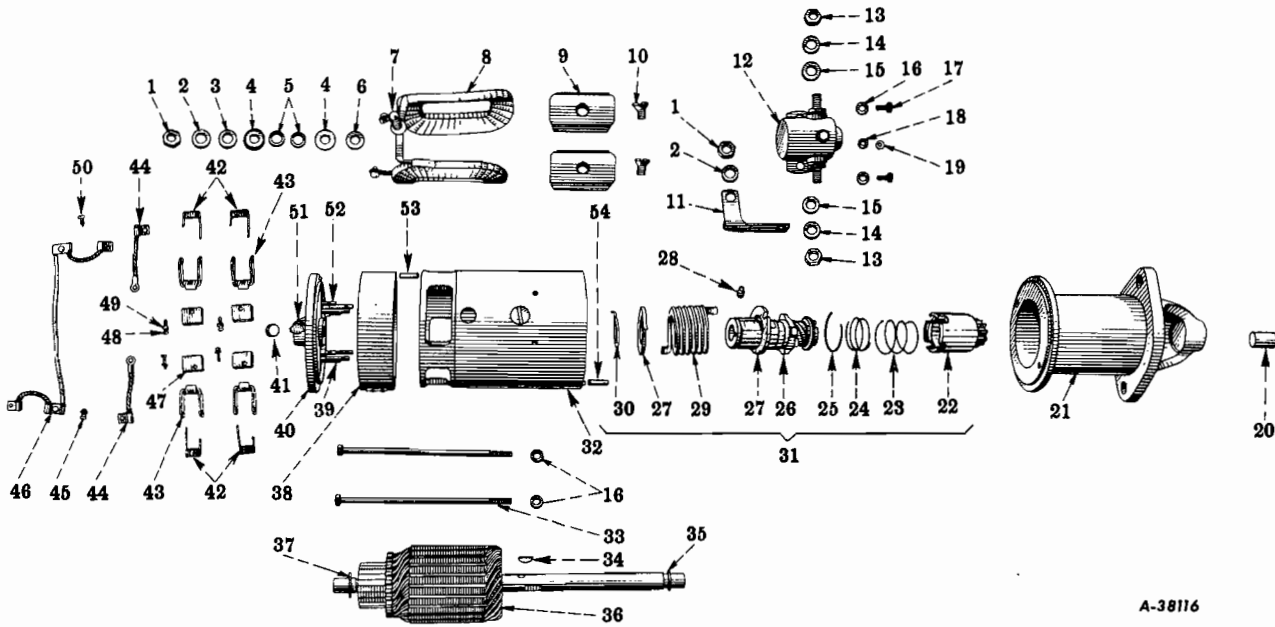
PRINTED IN UNITED STATES OF AMERICA

MT-97 Rev. No. 2, 7/56

GROUP 08 – ELECTRICAL SYSTEM



KEY	DESCRIPTION	DELCO-REMY PART NUMBER
FIG. 08-10 – REGULATOR - Continued		
12	RESISTOR	
	6 VOLT, 35, 40 AMP., STD.	1912745
	6 VOLT, 40, 45 AMP., CODES 0810 AND 0863, 50 AND 55 AMP.	1885296
	12 VOLT, 40 AMP., AND 12 VOLT, 30 AMP.	1910174
13	RESISTOR	
	6 VOLT, 35, 40 AMP., STD.	1912745
	6 VOLT, 40 AMP., CODE 0810, 45, 50 AND 55 AMP.	1910174
	12 VOLT, 50 AMP.	1910177
	12 VOLT, 30 AMP.	1910176
	6 VOLT, 40 AMP., CODE 0863	1910175
14	BUSHING	1879663
15	SCREW	1878502
16	CLAMP	1878503
17	CONNECTOR	1878504
18	WASHER	1922599
19	WASHER, L.K.	1878505
20	SCREW	1878516
21	GASKET	1878510
22	WASHER, L.K., 1/4", INT.	⊛ 138 167
23	BOLT, HEX-HD., 1/4NF x 3/4"	⊛ 182 654
		⊛ - IH PART NUMBER



A-38116

FIG. 08-11 - STARTING MOTOR (6 Volt - For Gasoline Engines)

- (R-110 Series Below 43823)
- (R-120 Series Below 8912)
- (R-130 Series Below 6836)
- (R-140-4x4 Series Below 640)
- (R-150 Series Below 1700)
- (R-160 Series Below 19483)
- (R-160-4x4 Series Below 598)
- (RC-160 Series Below 1913)

KEY	DESCRIPTION	NO. REQ'D	DELCO-REMY PART NUMBER
	MOTOR, STARTING, ASM.	1	1107074
1	NUT, HEX., JAM, 3/8NC	2	(*) 114 503
2	WASHER, LK., 3/8", LIGHT	2	(*) 131 202
3	WASHER, FL.	1	805790
4	WASHER, 3/4", O.D.	2	1861076
5	WASHER, 9/16", O.D.	2	1904669
6	WASHER, FL.	1	812622
7	TERMINAL	1	826938
8	COIL		
	LT.	1	1910317
	RT.	1	1910316
9	SHOE	4	810601
10	SCREW	4	1881869
11	CONNECTOR	1	1878056
			(*) - IH PART NUMBER

PRINTED IN UNITED STATES OF AMERICA

MT-97

GROUP 08 – ELECTRICAL SYSTEM



KEY	DESCRIPTION	NO. REQ'D	DELCO-REMY PART NUMBER
FIG. 08-11 – STARTING MOTOR (6 Volt - For Gasoline Engines) - Continued			
12	SWITCH, MAGNETIC, ASM.	1	1465
13	NUT, HEX., 3/8NC	2	(*) 453 318
14	WASHER, LK., 3/8", LIGHT	2	(*) 131 202
15	WASHER, FL., 3/8"	2	(*) 103 341
16	WASHER, LK., 1/4", MED.	3	(*) 103 319
17	SCREW	2	1906859
18	WASHER, LK., No. 8, MED.	1	(*) 115 544
19	NUT, 3/8NC	1	(*) 134 569
20	BUSHING	1	810 620
21	HOUSING, DRIVE, ASM.	1	✓1911732
22	GEAR, DRIVE, ASM.	1	1859053
23	SPRING	1	1859035
24	SPRING	1	1848528
25	RING	1	1859033
26	SHAFT, ASM.	1	1878420
27	PLATE	2	1916461
28	SCREW, SET	1	1878419
29	SPRING	1	1878421
30	RING	1	1878418
31	MOTOR DRIVE, ASM.	1	1878079
32	NOT SERVICED SEPARATELY		
33	BOLT	2	809053
34	KEY, WOODRUFF, 5/32 x 5/8"	1	(*) 124 546
35	WASHER	1	1853917
36	ARMATURE, ASM.	1	1878077
37	WASHER	1	833602
38	BAND, ASM.	1	817114
39	PIN, HINGE		
	NON-INSULATED	2	817313
	INSULATED	2	812016
40	FRAME, ASM.	1	1863470
41	PLUG	1	1865182
42	SPRING	4	813521
43	HOLDER	4	810226
44	LEAD, ASM.	2	813554
45	SCREW, RD-HD., No. 8NC x 1/4"	2	(*) 100 794
	WASHER, LK., No. 8, LIGHT	2	(*) 118 869
46	LEAD, ASM.	1	819362
47	BRUSH	4	811553
48	SCREW, RD-HD., No. 6NC x 1/2"	4	(*) 100 738
49	WASHER, LK., No. 6, MED.	4	(*) 106 495
50	SCREW, RD-HD., No. 10NF x 1/4"	2	(*) 100 762
	WASHER, LK., No. 10, MED.	2	(*) 106 497
51	OILER	1	(*) 114 998
	WICK	1	802691
52	PIN, STOP		
	NON-INSULATED	2	817314
	INSULATED	2	812015
			(*) IH PART NUMBER







GROUP 08 - ELECTRICAL SYSTEM

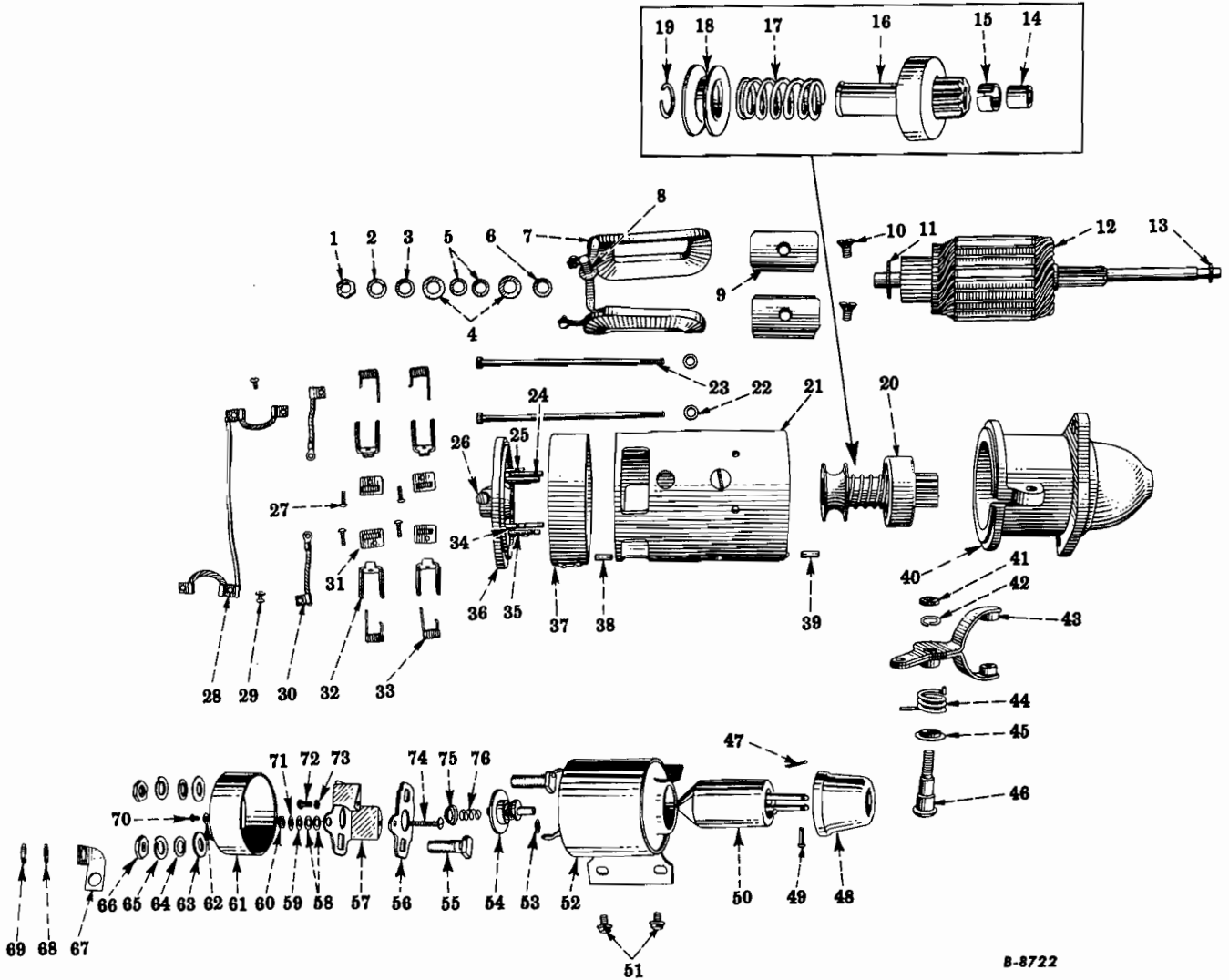


FIG. 08-12 - STARTING MOTOR (6 Volt For Gasoline Engines)

For SD-220 Engine  
 (R-100 Series - 501 And Up)  
 (R-110 Series - 43823 And Up)  
 (R-120 Series - 8912 And Up)  
 (R-130 Series - 6836 And Up)  
 (R-140-4x4 Series - 640 And Up)

For SD-240 Engine  
 (R-110 Series - 43823 And Up)  
 (R-120 Series - 8912 And Up)  
 (R-130 Series - 6836 And Up)  
 (R-140-4x4 Series - 640 And Up)  
 (R-150 Series - 1700 And Up)  
 (R-160 Series - 19483 And Up)  
 (R-160-4x4 Series - 598 And Up)  
 (R-160 Series - 1913 And Up)

For BD-264 Engine  
 (R-140-4x4 Series - 640 To 1308)  
 (R-160 Series - 19483 To 40082)  
 (R-160-4x4 Series - 598 To 1205)  
 (RC-160 Series - 1913 To 3862)

KEY	DESCRIPTION	NO. REQ'D	DELCO-REMY PART NUMBER
	MOTOR, STARTING, ASM.	1	1107140
1	NUT, HEX., JAM, 3/8NC	1	805258
2	WASHER, LK., 3/8", LIGHT	1	⊙ 131 202
3	WASHER (OUTSIDE)	1	805790
4	WASHER, 3/4", O.D.	2	1861076
			⊙ I H PART NUMBER

MT-97 Rev. No. 2, 7/56

GROUP 08 – ELECTRICAL SYSTEM



KEY	DESCRIPTION	NO. REQ'D	DELCO-REMY PART NUMBER
FIG. 08-12 – STARTING MOTOR (6 Volt For Gasoline Engines) - Continued			
5	WASHER, 9/16" O.D.	2	1904669
6	WASHER, FL., (INSIDE)	1	805790
7	COIL, ASM.		
	RT.	1	1921195
	LT.	1	1921196
8	TERMINAL	1	1848837
9	SHOE	4	810601
10	SCREW	4	1881869
11	WASHER	1	818265
12	ARMATURE, ASM.	1	1917855
13	WASHER	1	1838568
14	BUSHING	1	1873796
15	BUSHING, SPLIT	1	37522
16	NOT SERVICED SEPARATELY		
17	SPRING	1	37517
18	COLLAR	1	1838436
19	RING, SNAP	1	37521
20	DRIVE, MOTOR, ASM.	1	1873789
21	NOT SERVICED SEPARATELY		
22	WASHER, LK., 1/4", MED.	2	103 319
23	BOLT	2	809053
24	PIN, INSULATED	2	812016
25	PIN, INSULATED	2	812015
26	OILER	1	114998
	WICK, OIL	1	802691
27	SCREW, RD-HD., No. 6NC x 1/2"	4	100 738
28	LEAD, ASM., BRUSH AND FIELD CONNECTOR	1	819362
29	SCREW, RD-HD., No. 10NF x 1/4"	2	100 762
30	LEAD, BRUSH GROUND, ASM.	2	813554
31	BRUSH	4	811553
32	HOLDER	4	810226
33	SPRING	4	813521
34	PIN (NON-INSULATED)	2	817313
35	PIN (NON-INSULATED)	2	817314
36	FRAME, ASM. (COMMUTATOR END)	1	1907038
37	BAND, COVER, ASM.	1	817114
38	PIN	1	809062
39	PIN	1	809593
40	HOUSING, MOTOR DRIVE, ASM.	1	1927173
41	NUT, HEX., JAM, 3/8NC	1	805258
42	WASHER, LK., 3/8", LIGHT	1	131 202
43	LEVER, SHIFT, ASM.	1	1912114
44	SPRING	1	1881861
45	SUPPORT	1	1835998
46	BOLT	1	1848796
47	PIN, COTTER, 1/16 x 1/2"	1	103 361
48	BOOT	1	1912448
49	PIN	1	1853305
50	PLUNGER, w/LINK, ASM.	1	1912055
			* - IH PART NUMBER

PRINTED IN UNITED STATES OF AMERICA

MT-97

GROUP 08 – ELECTRICAL SYSTEM

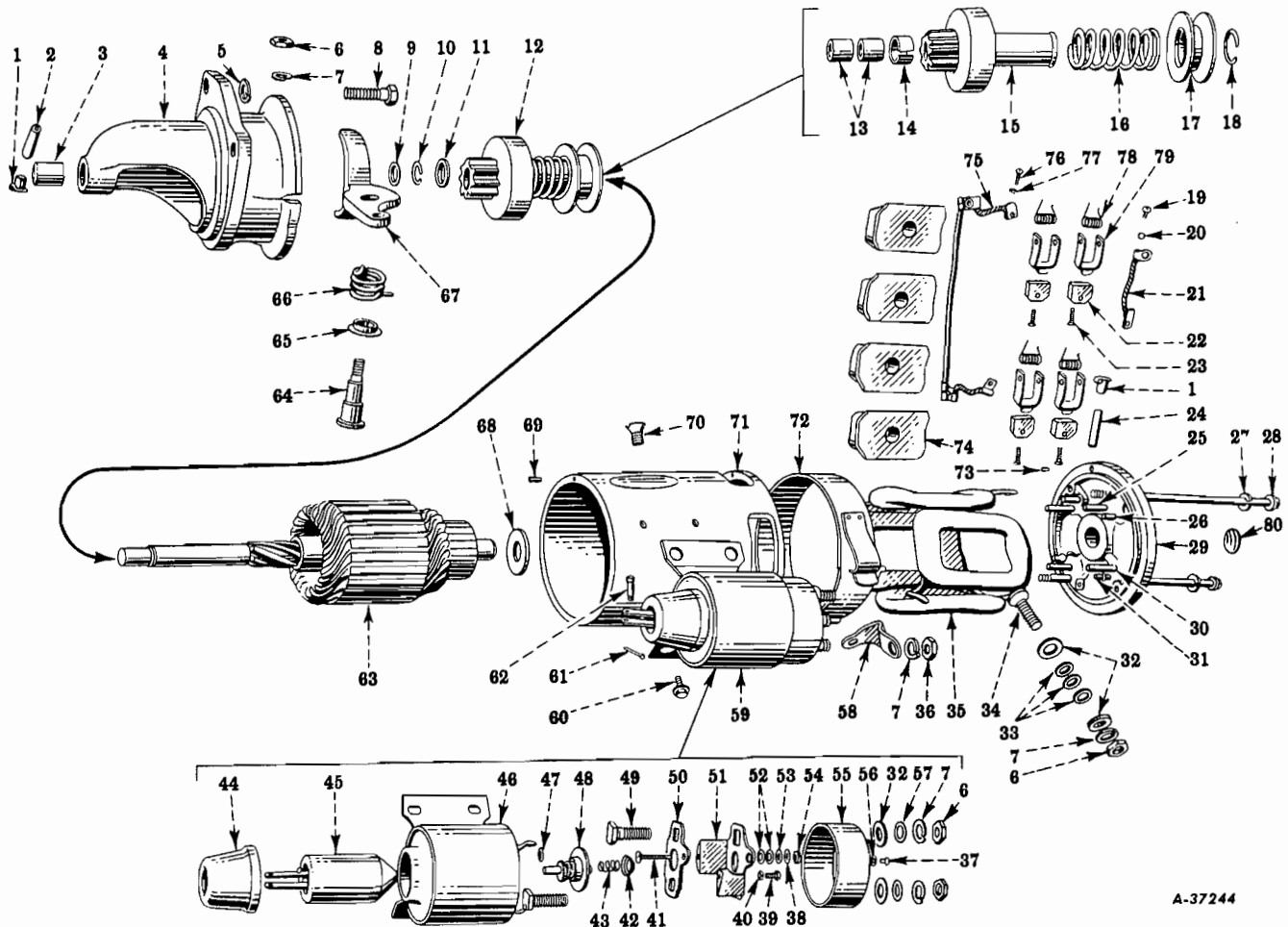


KEY	DESCRIPTION	NO. REQ'D	DELCO-REMY PART NUMBER
FIG. 08-12 – STARTING MOTOR (6 Volt For Gasoline Engines) - Continued			
51	SCREW	4	1916529
52	SWITCH, SOLENOID, ASM.	1	1118140
53	CLIP	1	1912401
54	CONTACT, SWITCH, ASM.	1	1912059
55	STUD (LARGE)	2	1912066
56	INSULATOR	1	1912067
57	NOT SERVICED SEPARATELY		
58	INSULATOR, 7/16"	1	1915517
	WASHER, 7/16", O.D.	2	1868930
59	WASHER, FL.	1	813731
60	NUT, HEX., No. 8NC	1	* 103 092
61	COVER	1	1912069
62	WASHER, LK., No. 8, INT.	1	* 115 544
63	WASHER, INSULATING, 3/4", O.D.	2	1861076
64	WASHER, FL., 3/8"	2	833795
65	WASHER, LK., 3/8", LIGHT	2	* 131 202
66	NUT, HEX., 3/8NC	2	805258
67	CONNECTOR.	1	1912117
68	WASHER, LK., 3/8", LIGHT	2	* 131 202
69	NUT, HEX., 3/8"	2	* 134 566
70	SCREW	1	1912522
71	WASHER, LK., No. 8	1	1904615
72	SCREW	2	1912518
73	WASHER, LK., No. 10, INT.	2	* 138 534
74	STUD	1	1868924
75	CUP	1	1912068
76	SPRING	1	1853342
			* - IH PART NUMBER

**MT-97** Rev. No. 1, 2/56

**MEMORANDA**





A-37244

For BD-264 Gasoline Engine (6 Volt)  
 (R-140-4x4 Series — 1309 And Up)  
 (R-160 Series — 40083 And Up)  
 (R-160-4x4 Series — 1206 And Up)  
 (RC-160 Series — 3863 And Up)

FIG. 08-12A - STARTING MOTOR  
 For SD-240 LPG Engine  
 (R-110 Series — 59105 And Up)  
 (R120 Series — 13173 And Up)  
 (R-160 Series — 40180 And Up)  
 (R-160-4x4 Series — 1206 And Up)

For SD-240 And BD-264 Gasoline Engine (6 Volt)  
 (R-160 Series — 38419 And Up)  
 (RC-160 Series — 3671 And Up)

KEY	DESCRIPTION	DELCO-REMY PART NUMBER	
		6 VOLT	12 VOLT
	MOTOR, STARTING, ASM.	1 108 042	1 108 157
1	OILER, 5/16"		(*) 114 998
2	NOT USED		
3	BUSHING	1 839 345	1 839 345
4	HOUSING	1 931 396	1 931 396
5	WASHER, LK., 1/2", MED.	(*) 103 323	(*) 103 323
6	NUT, HEX., JAM, 3/8NC	805 258	805 258
7	WASHER, LK., 3/8", LGT.	(*)	(*) 120 381
8	BOLT, HEX-HD., 1/2NC X 1-1/8"	(*) 181 162	(*) 181 162

MT-97 Rev. No. 1, 2/56



GROUP 08-ELECTRICAL SYSTEM

KEY	DESCRIPTION	DELCO-REMY PART NUMBER	
		6 VOLT	12 VOLT
FIG. 08-12A — STARTING MOTOR - Continued			
9	WASHER	1 928 023	1 928 023
10	RING	1 928 022	1 928 022
11	STOP	1 928 021	1 928 021
12	MOTOR DRIVE, ASM.	1 931 478	1 929 402
13	BUSHING	1 873 796	1 873 796
14	BUSHING, SPLIT	37 522	37 522
15	NOT SERVICED SEPARATELY		
16	SPRING	1 931 477	37 517
17	COLLAR	1 838 436	1 838 436
18	RING	37 521	37 521
19	SCREW, RD-HD., No. 8NC x 1/4"	⊛ 122 159	⊛ 122 159
20	WASHER, LK., No. 8, MED.	⊛ 121 841	⊛ 121 841
21	LEAD, ASM. (BRUSH GROUND)	813 554	813 554
22	BRUSH	811 553	828 448
23	SCREW, RD-HD., No. 6NC x 1/2"	⊛ 115 903	⊛ 115 903
24	WICK		802 694
25	PIN, BRUSH HOLDER HINGE, (INSULATED)	812 016	812 016
26	PIN, BRUSH HOLDER STOP, (INSULATED)	812 015	812 015
27	WASHER, LK., 1/4", MED.	⊛ 120 380	⊛ 120 380
28	BOLT	809 053	809 053
29	FRAME, COMMUTATOR END, ASM.	1 908 580	1 908 580
30	PIN, BRUSH HOLDER HINGE, (NOT INSULATED)	817 313	817 313
31	PIN, BRUSH HOLDER STOP, (NOT INSULATED)	817 314	817 314
32	WASHER, INSULATING, 25/64" O.D.	1 861 076	1 861 076
33	WASHER		
	INSULATING, 9/16" O.D.	1 904 669	1 904 669
	PLAIN	812 622	812 622
34	STUD	1 848 837	1 911 610
35	COIL, ASM.		
	LWR.	826 281	1 903 808
	UPR.	826 282	1 826 114
36	NUT, HEX., JAM		
	5/16NC	⊛ 134 556	
	3/8NC		⊛ 134 566
37	SCREW	1 912 522	1 912 522
38	WASHER, LK., No. 8	1 904 615	1 904 615
39	SCREW	1 912 518	1 912 518
40	WASHER, LK., No. 10, LGT.	⊛ 131 183	⊛ 131 183
41	STUD, No. 8NC x 7/8"	1 917 115	1 917 115
42	CUP	1 912 068	1 912 068
43	SPRING	1 853 342	1 853 342
44	BOOT		1 912 448
45	PLUNGER, w/LINK, ASM.	1 931 559	1 931 559
46	CASE w/COIL, ASM.	1 932 515	1 932 624
47	CLIP	1 912 401	1 912 401
48	CONTACT, ASM.	1 912 059	1 912 059
49	STUD	1 912 066	1 912 066
50	INSULATOR		1 912 067
51	BRACKET w/TERMINALS, ASM.	1 912 064	1 912 064
52	WASHER, INSULATING, 7/16" O.D.	1 868 930	1 868 930

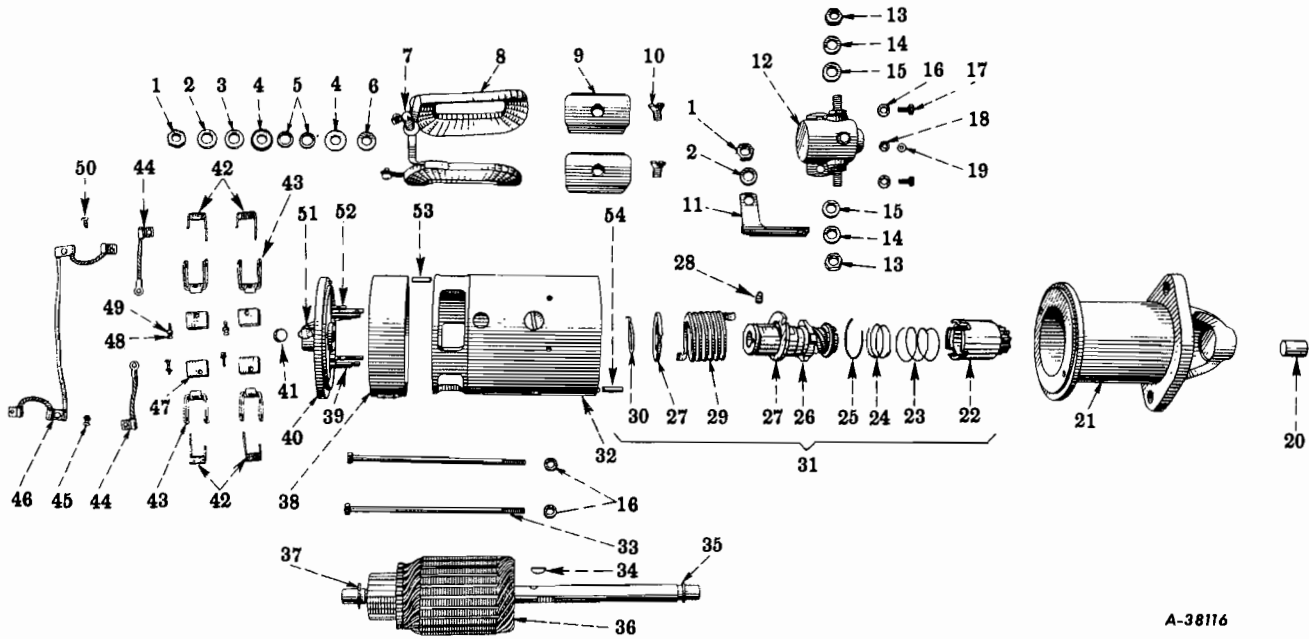
PRINTED IN UNITED STATES OF AMERICA





MT-97 Rev. No. 1, 2/56

GROUP 08 - ELECTRICAL SYSTEM



A-38116

FIG. 08-13 - STARTING MOTOR (12 Volt, Codes 0812 And 0814) (For Gasoline Engines)  
 (R-140-4x4, R-160-4x4 Series)  
 (R-160 Series - Below 38419)  
 (RC-160 Series - Below 3671)

KEY	DESCRIPTION	NO. REQ'D	DELCO-REMY PART NUMBER
	MOTOR, STARTING, ASM.	1	1108131
1	NUT, HEX., JAM 3/8NC	2	(*) 114 503
2	WASHER, LK., 3/8", LIGHT	2	(*) 131 202
3	WASHER, FL.	1	805790
4	WASHER, 3/4", O.D.	2	1861076
5	WASHER, 9/16", O.D.	2	1904669
6	WASHER, FL.	1	812622
7	TERMINAL	1	811601
8	COIL		
	LOWER	1	1903808
	UPPER	1	1836114
9	SHOE	4	810601
10	SCREW	4	1881869
11	CONNECTOR	1	1878056
12	SWITCH, MAGNETIC, ASM.	1	1467 1114545
13	NUT, HEX 3/8NC	2	(*) 453 318
14	WASHER, LK., 3/8", LIGHT	2	(*) 131 202
15	WASHER, FL., 3/8"	2	(*) 103 341
16	WASHER, LK., 1/4", MED.	3	(*) 103 319
			(*) - IH PART NUMBER



MT-97

GROUP 08 – ELECTRICAL SYSTEM



KEY	DESCRIPTION	NO. REQ'D	DELCO-REMY PART NUMBER
FIG. 08-13 – STARTING MOTOR (12 Volt, Codes 0812 And 0814) – Continued			
17	SCREW	2	1906859
18	WASHER, LK., No. 8, MED.	1	(*) 115 544
19	NUT, 3/8NC	1	(*) 134 569
20	BUSHING	1	810620
21	HOUSING, DRIVE, ASM.	1	1911732
22	GEAR, DRIVE, ASM.	1	1859053
23	SPRING	1	1859035
24	SPRING	1	1848528
25	RING	1	1859033
26	SHAFT, ASM.	1	1878420
27	PLATE	2	1916461
28	SCREW, SET	1	1878419
29	SPRING	1	1878421
30	RING	1	1878418
31	MOTOR DRIVE, ASM.	1	1878079
32	NOT SERVICED SEPARATELY		
33	BOLT	2	809053
34	KEY, WOODRUFF, 5/32 x 5/8"	1	(*) 124 546
35	WASHER	1	1853917
36	ARMATURE, ASM.	1	1878077
37	WASHER	1	833602
38	BAND, ASM.	1	817114
39	PIN, HINGE		
	NON-INSULATED	2	817313
	INSULATED	2	812016
40	FRAME, ASM.	1	1850447
41	PLUG	1	1865182
42	SPRING	4	813521
43	HOLDER	4	810226
44	LEAD, ASM.	2	813554
45	SCREW, RD-HD., No. 8NC x 1/4"	2	(*) 100 794
	WASHER, LK., No. 8, LIGHT	2	(*) 118 869
46	LEAD, ASM.	1	813523
47	BRUSH	4	828448
48	SCREW, RD-HD., No. 6NC x 1/2"	4	(*) 100 738
49	WASHER, LK., No. 6, MED.	4	(*) 106 495
50	SCREW, RD-HD., No. 10NF x 1/4"	2	(*) 100 762
	WASHER, LK., No. 10, MED.	2	(*) 106 497
51	OILER	1	(*) 114 998
	WICK	1	802 691
52	PIN, STOP		
	NON-INSULATED	2	817314
	INSULATED	2	812015
53	PIN	1	809062
54	PIN	1	809593
			(*) - IH PART NUMBER

GROUP 08 - ELECTRICAL SYSTEM

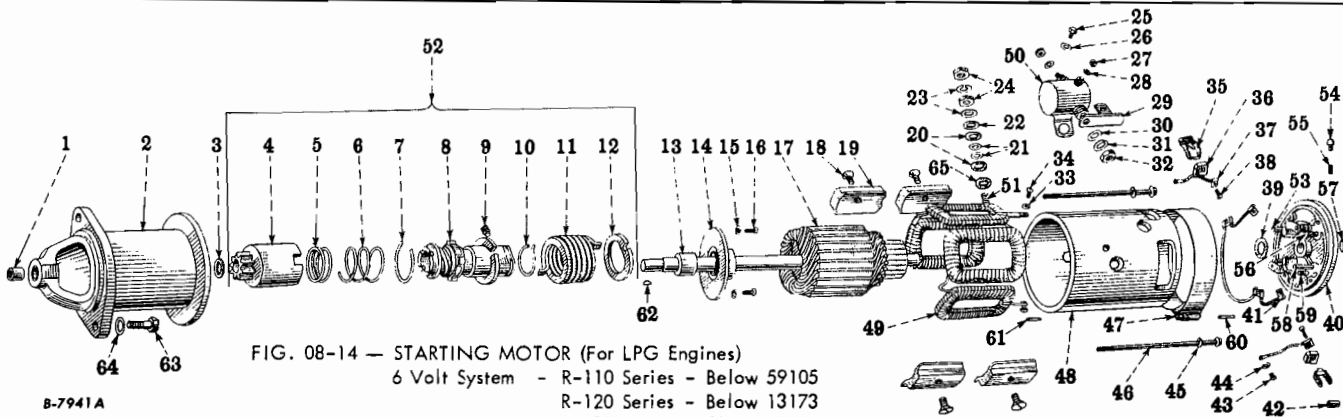


FIG. 08-14 - STARTING MOTOR (For LPG Engines)

6 Volt System - R-110 Series - Below 59105  
 R-120 Series - Below 13173  
 R-130 Series - 501 And Up  
 R-150 Series - 501 And Up  
 R-160 Series - Below 40180  
 R-160-4x4 Series - Below 1206  
 12 Volt System - R-160, 160-4x4 Series

KEY	DESCRIPTION	NO. REQ'D	DELCO-REMY PART NUMBER
	MOTOR, STARTING, ASM.		
	6 VOLT	1	1108021
	12 VOLT	1	1108150
1	BUSHING	1	810620
2	HOUSING, ASM.	1	1926767
3	WASHER	1	1853917
4	DRIVE, MOTOR, ASM.	1	1859053
5	SPRING	1	1848528
6	SPRING	1	1859035
7	RING	1	1859033
8	SHAFT, ASM.	1	1878420
9	SCREW	1	1878419
10	RING	1	1878418
11	SPRING	1	1878421
12	PLATE	1	1916461
13	BUSHING	1	1838670
14	PLATE, ASM.	1	1838667
15	WASHER	1	1880781
16	SCREW	2	(*) 142 210
17	ARMATURE, ASM.		
	6 VOLT	1	1910938
	12 VOLT	1	1878077
18	SCREW	4	1881869
19	SHOE	4	810601
20	WASHER, 3/4" O.D.	2	1861076
21	WASHER, 9/16" O.D.	2	1904669
22	WASHER	1	805790
23	WASHER	2	(*) 131 202
24	NUT, HEX., JAM, 3/8NC	2	805258
25	SCREW	2	1906859
26	WASHER, LK., 1/4", MED.	2	(*) 103 319
27	NUT, HEX., 3/8NC	1	(*) 120 622
28	WASHER, LK., .No. 8	1	804485
			(*) - IH PART NUMBER

MT-97

GROUP 08 – ELECTRICAL SYSTEM



KEY	DESCRIPTION	NO. REQ'D	DELCO-REMY PART NUMBER
FIG. 08-14 – STARTING MOTOR (For LPG Engines) – Continued			
29	CONNECTOR	1	1878056
30	WASHER, FL., 3/8", MED.	2	(*) 118 775
31	WASHER, LK., 3/8", MED.	2	(*) 103 321
32	NUT, HEX., 3/8NC	2	(*) 134 569
33	WASHER, LK., No. 10, MED.	2	(*) 115 707
34	SCREW, RD-HD., No. 10NF x 1/4"	2	(*) 132 894
35	HOLDER	4	810226
36	BRUSH		
	6 VOLT	4	811553
	12 VOLT	4	828448
37	LEAD, ASM.	2	813554
38	SCREW, RD-HD., No. 6NC x 1/2"	4	(*) 115 903
	WASHER, LK., No. 6, MED.	4	(*) 106 495
39	WASHER	1	833602
40	FRAME, ASM.	1	1850447
41	LEAD		
	6 VOLT	1	819362
	12 VOLT	1	813523
	12 VOLT	1	811450
42	SPRING	4	813521
43	SCREW, RD-HD., No. 8NF x 1/4"	2	(*) 132 750
44	WASHER, LK., No. 8, MED.	2	(*) 116 118
45	WASHER, LK., 1/4", MED.	2	(*) 103 319
46	BOLT	2	809053
47	BAND, ASM.	1	817114
48	NOT SERVICED SEPARATELY		
49	COIL		
	LOWER ( 6 VOLT )	1	826281
	LOWER ( 12 VOLT )	1	1903808
	UPPER ( 6 VOLT )	1	826282
	UPPER ( 12 VOLT )	1	1836114
50	SWITCH, ASM.		
	6 VOLT	1	(*) 142 364 H
	12 VOLT	1	1467
51	STUD		
	6 VOLT	1	1848837
	12 VOLT	1	811601
52	DRIVE, ASM.	1	1878079
53	PIN	2	812016
54	OILER	1	114998
55	WICK	1	802694
56	PIN	2	812015
57	PLUG, 11/16", DIA.	1	1865182
58	PIN	2	812313
			(*) - IH PART NUMBER

MT-97

GROUP 08 - ELECTRICAL SYSTEM

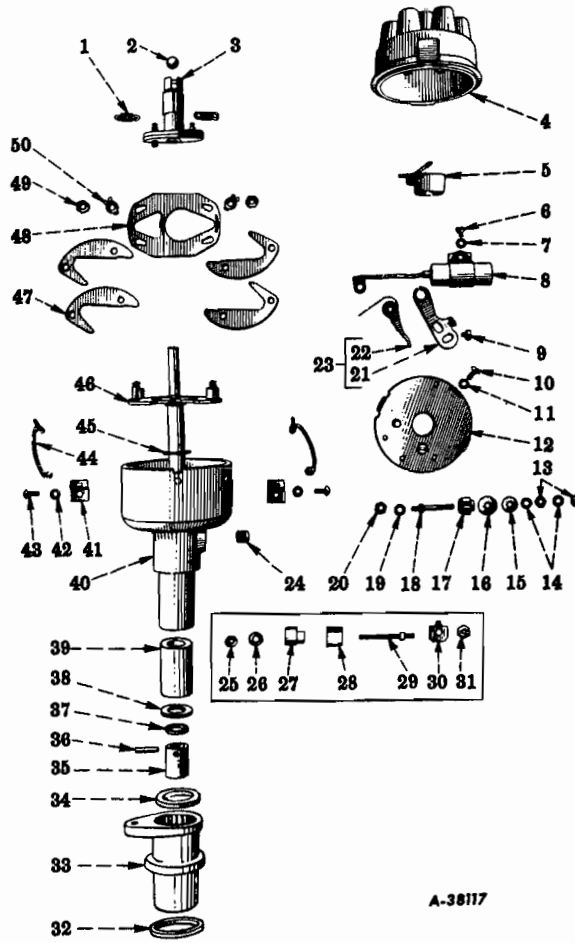


KEY	DESCRIPTION	NO. REQ'D	DELCO-REMY PART NUMBER
-----	-------------	-----------	------------------------

FIG. 08-14 - STARTING MOTOR (For LPG Engines) - Continued

59	PIN	2	817314
60	PIN	1	809062
61	PIN	1	809593
62	KEY, WOODRUFF, 5/32 x 5/8"	1	124546
63	BOLT, HEX-HD., 1/2NC x 1-1/8"	2	(*) 181 162
64	WASHER, LK., 1/2", MED.	2	(*) 103 323
65	WASHER (12 VOLT)	1	812622

(\*) - IH PART NUMBER



A-38117

FIG. 08-15 – DISTRIBUTOR

KEY	DESCRIPTION	NO. REQ'D		DELCO-REMY PART NUMBER
		DISTRIBUTOR		
		1112355	1112397	
	DISTRIBUTOR, ASM.			
	FOR GASOLINE ENGINES	1		1112355
	FOR LPG ENGINES		1	1112397
1	SPRING			
	DISTR. 1112355	2		1913799
	DISTR. 1112397		2	1911092
2	WICK			
	DISTR. 1112355	1		816803
	DISTR. 1112397		1	819639
3	CAM, ASM.			
	DISTR. 1112355	1		1912486
	DISTR. 1112397		1	1926787
4	CAP	1	1	824735
5	ROTOR	1	1	820445

MT-97

GROUP 08 – ELECTRICAL SYSTEM



KEY	DESCRIPTION	NO. REQ'D		DELCO-REMY PART NUMBER
		DISTRIBUTOR		
		1112355	1112397	

FIG. 08-15 – DISTRIBUTOR - Continued

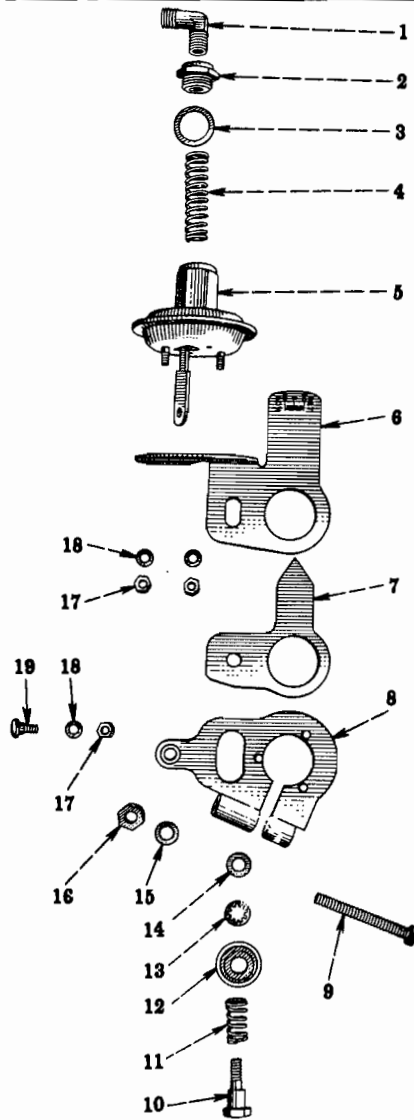
6	SCREW, RD-HD., No. 8NC x 3/16"	1	1	(*) 112 865
7	WASHER, LK., No. 8, MED.	1	1	(*) 116 118
8	CONDENSER	1	1	1900272
9	SCREW	1	1	816784
10	SCREW, RD-HD., No. 8NC x 5/16"	1	1	(*) 115 607
11	WASHER, LK., No. 8, MED.	1	1	(*) 116 118
12	PLATE	1	1	1847643
13	NUT, HEX., No. 8NC (OUTSIDE)	2		(*) 103 092
14	WASHER, LK., No. 8, MED. (OUTSIDE)	2		(*) 116 118
15	WASHER, FL. (OUTSIDE)	1		24754
16	WASHER, INSULATING (OUTSIDE)	1		1882247
17	BUSHING	1		1878405
18	STUD	1		1847647
19	WASHER, FL. (INSIDE)	1		810794
20	NUT, HEX., No. 8NC (INSIDE)	1		(*) 103 092
21	NOT SERVICED SEPARATELY			
22	NOT SERVICED SEPARATELY			
23	POINT SET	1	1	1855720
24	PLUG	1	1	(*) 103 883
25	NUT (INSIDE)		1	817363
26	WASHER (INSIDE)		1	1904376
27	BUSHING		1	1916805
28	BUSHING		1	1914142
29	STUD		1	1916806
30	CLIP (OUTSIDE)		1	1914144
31	NUT, HEX., No. 8NC		1	(*) 103 092
32	GASKET	1	1	(*) 70 127 RI
33	ADAPTER	1	1	(*) 69 489 RI
34	GASKET	1	1	(*) 39 783 H
35	COLLAR	1	1	1912218
36	PIN			
	DISTR. 1112355	1		815003
	DISTR. 1112397		1	1862218
37	WASHER			
	.005" THICK	AR	AR	810074
	.010" THICK	AR	AR	810078
38	WASHER	1	1	811912
39	BUSHING	1	1	1909003
40	HOUSING			
	DISTR. 1112355	1		1912483
	DISTR. 1112397		1	1918021
41	SUPPORT	2	2	1847289
42	WASHER, LK., No. 8, MED.	2	2	(*) 116 118
43	SCREW, RD-HD., No. 8NC x 3/8"	2	2	(*) 100 750
44	SPRING	2	2	1871838
45	WASHER	1	1	811912
				(*) I H PART NUMBER





MT-97

GROUP 08 – ELECTRICAL SYSTEM



A-25239

FIG. 08-16 – DISTRIBUTOR VACUUM CONTROL

KEY	DESCRIPTION	NO. REQ'D	DELCO-REMY PART NUMBER
	UNIT, w/BRACKET, ASM.		
	ORDER 1116088 UNIT AND 1865656 COUPLING (SEE NOTE A)	1	1116049
	1865656 COUPLING, WILL WORK FOR 1116049 (SEE NOTE B)	1	1116088
1	ELBOW (SEE NOTE A)	1	⊗ 121 370
			⊗ IH PART NUMBER
	NOTE A - FOR SD-220 ENGINES - BELOW ENGINE SERIAL No. 254276		
	FOR SD-240 ENGINES - BELOW ENGINE SERIAL No. 114511		
	NOTE B - FOR SD-220 ENGINES - ENGINE SERIAL No. 254276 UP		
	FOR SD-240 ENGINES - ENGINE SERIAL No. 114511 UP		

PRINTED IN UNITED STATES OF AMERICA

MT-97 Rev. No. 1, 2/56

GROUP 08 - ELECTRICAL SYSTEM



KEY	DESCRIPTION	NO. REQ'D	DELCO-REMY PART NUMBER
FIG. 08-16 - DISTRIBUTOR VACUUM CONTROL - Continued			
2	COUPLING		
	SEE NOTE A	1	1865656
	SEE NOTE B	1	1883027
3	GASKET	1	1841901
4	SPRING	1	1912719
5	UNIT		
	SEE NOTE A	1	1912733
	SEE NOTE B	1	1928580
6	BRACKET	1	1857725
7	INDICATOR	1	1857726
8	ARM, ASM.	1	1912736
9	SCREW, FIL-HD., 1/4NC x 2"	1	⊛ 114 991
10	SCREW	1	1857727
11	SPRING	1	1847668
12	WASHER	1	1857728
13	WASHER, LOCK, 1/4", INT.	1	⊛ 138 167
14	WASHER	1	1857729
15	WASHER	1	802760
16	NUT	1	802818
17	NUT	3	5024654
18	*WASHER, LOCK, No. 10, MED.	3	⊛ 106 497
19	SCREW	1	1847272
			⊛ IH PART NUMBER
	NOTE A - FOR SD-220 ENGINES - BELOW ENGINE SERIAL No. 254276		
	FOR SD-240 ENGINES - BELOW ENGINE SERIAL No. 114511		
	NOTE B - FOR SD-220 ENGINES - ENGINE SERIAL No. 254276 UP		
	FOR SD-240 ENGINES - ENGINE SERIAL No. 114511 UP		



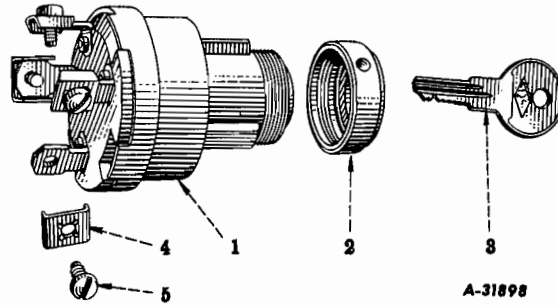


FIG. 08-18 – IGNITION - STARTER SWITCH (Left Hand Drive)

KEY	DESCRIPTION	NO. REQ'D	DELCO-REMY PART NUMBER
	SWITCH, ASM.	1	1116501
1	CYLINDER	1	1849889
2	NUT	1	1923305
3	NOT SERVICED SEPARATELY		
4	WASHER	4	1868137
5	SCREW	4	1864099

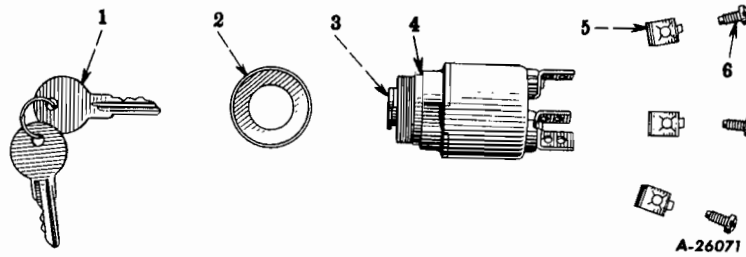
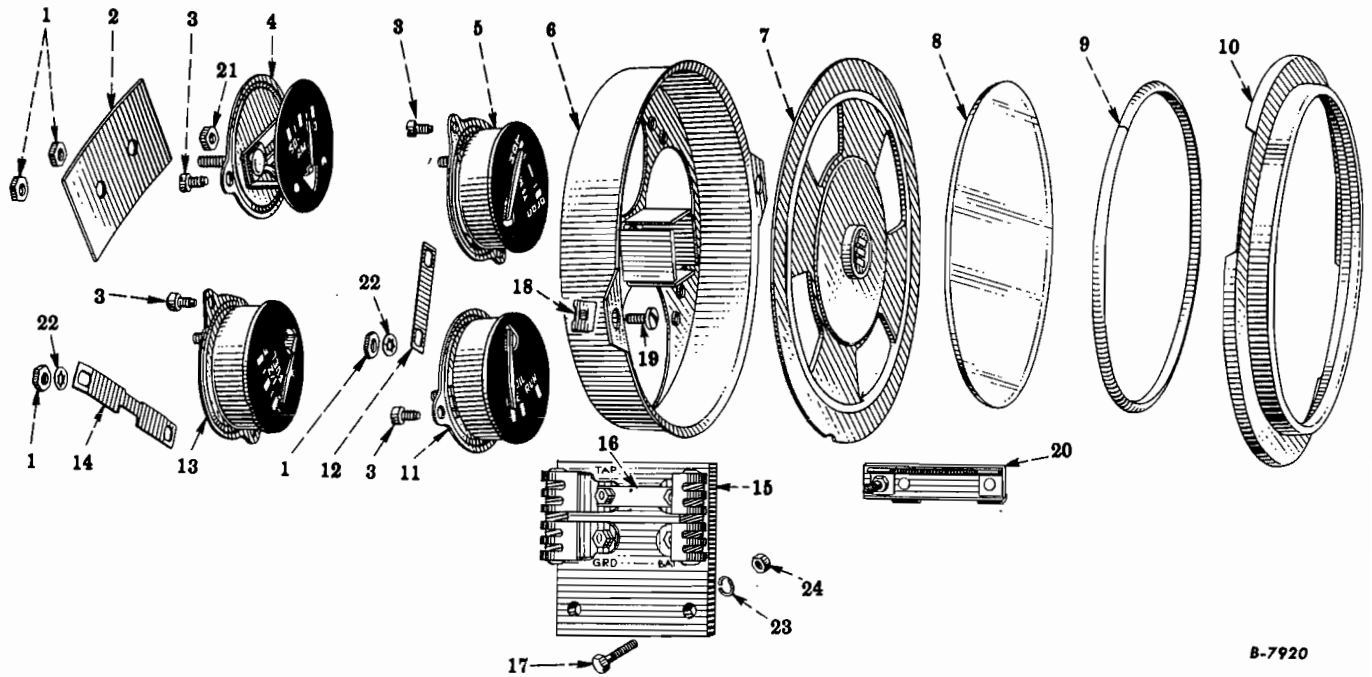


FIG. 08-19 – IGNITION SWITCH (Right Hand Drive)

KEY	DESCRIPTION	NO. REQ'D	DELCO-REMY PART NUMBER
1	NOT SERVICED SEPARATELY		
2	NUT	1	1923305
3	CYLINDER	1	1849889
4	SWITCH, ASM.	1	1116483
5	CLIP	3	72 949 H
6	SCREW	3	1864099
			(*) IH PART NUMBER





B-7920

FIG. 08-21 – INSTRUMENTS AND INSTRUMENT CLUSTER

KEY	DESCRIPTION	NO. REQ'D	I H PART NUMBER
	CLUSTER, ASM.		
	FOR GASOLINE ENGINES W/O SAFETY TANKS (EXCEPT RC-160 SERIES)	1	81 448 R93
	FOR GASOLINE ENGINES W/SAFETY TANKS, AND RC-160 SERIES	1	94 001 R92
	FOR LPG ENGINES	1	110 081 R92
1	NUT, HEX., No. 10NF	6	103 088
2	INSULATOR	1	93 150 R1
3	SCREW, RD-HO., No. 8NC x 1/4"	AR	131 954
4	AMMETER, ASM.	1	86 577 R91
5	GAUGE, ASM.	1	86 589 R92
6	HOUSING, ASM.	1	86 585 R91
7	MASK, ASM.	1	86 581 R92
8	GLASS	1	86 586 R1
9	GASKET	1	86 582 R1
10	BEZEL	1	86 590 R1
11	GAUGE	1	86 587 R91
12	BAR	1	86 583 R1
13	GAUGE		
	6 VOLT, GASOLINE ENGINES	1	86 588 R91
	12 VOLT, GASOLINE ENGINES	1	93 259 R91
	DIAL (FOR LPG ENGINES)	1	110 098 R91

MT-97 Rev. No. 2, 7/56

GROUP 08 – ELECTRICAL SYSTEM



KEY	DESCRIPTION	NO. REQ'D	I H PART NUMBER
FIG. 08-21 – INSTRUMENTS AND INSTRUMENT CLUSTER - Continued			
14	BAR		
	6 VOLT	1	86 584 R1
	12 VOLT	1	96 002 R2
15	DIVIDER (FOR 12 VOLT SYSTEM)	1	67 233 H
16	BAR (FOR 12 VOLT SYSTEM)	1	108 999 H
17	BOLT, HEX-HD., 1/4NF x 3/4"	2	182 654
18	NUT, SPEED, No. 10NC	2	86 689 R1
19	SCREW, PAN-HD., No. 10NC x 1/2"	2	159 921
20	RESISTOR (FOR 12 VOLT SYSTEMS, w/SAFETY TANKS)	1	65 392 R92
21	PALNUT, No. 10NF	2	146 061
22	WASHER, LK., No. 10, INT.	6	138 534
23	WASHER, LK., 1/4", EXT.	2	114 604
24	NUT, HEX., 1/4NF	2	103 024

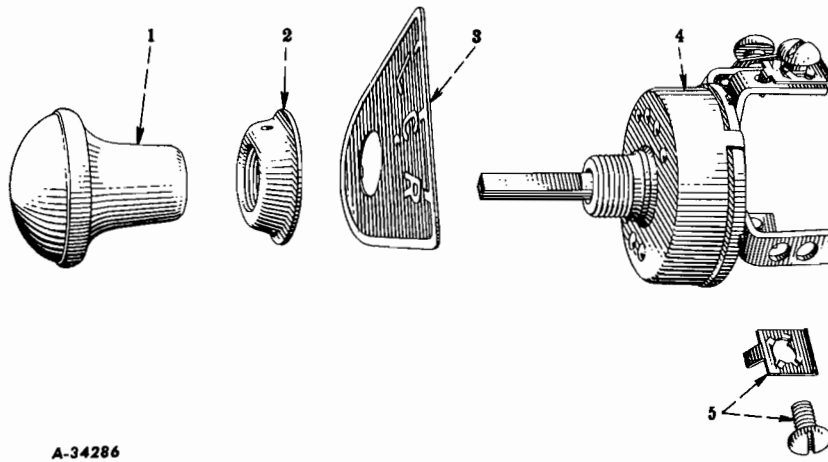


FIG. 08-22 – FUEL GAUGE SWITCH

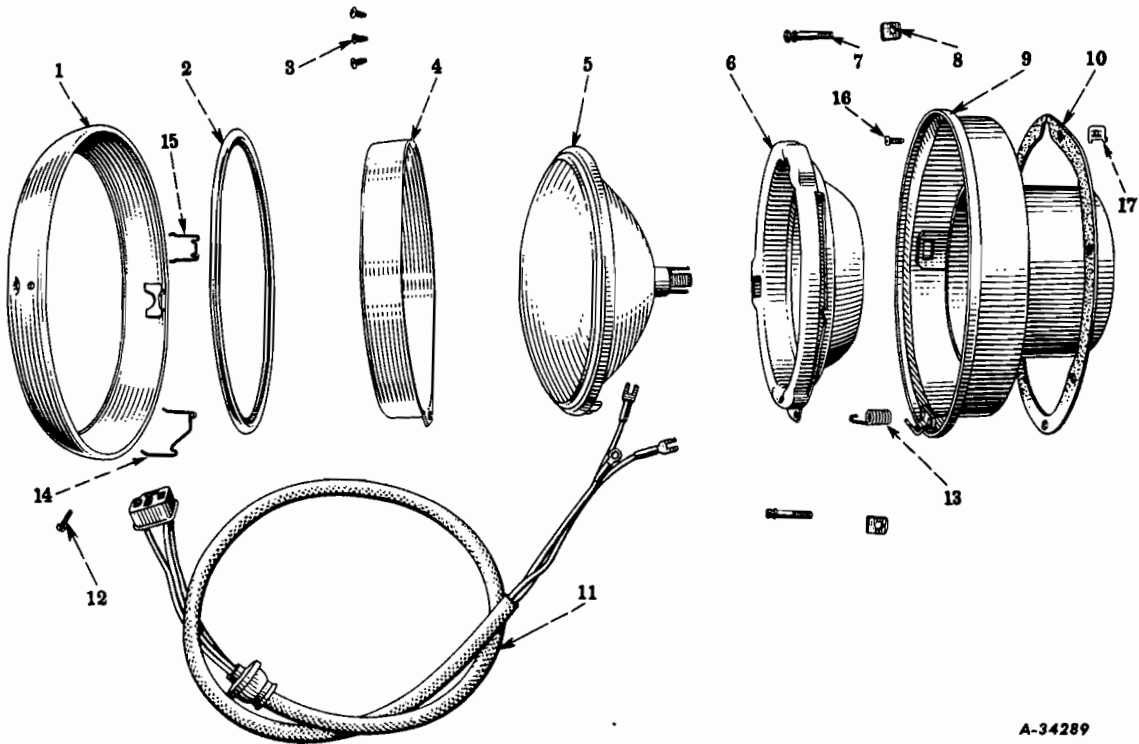
KEY	DESCRIPTION	NO. REQ'D	I H PART NUMBER
1	KNOB	1	117 544 R91
2	NUT	1	77 789 R1
3	PLATE	1	117 612 R1
4	SWITCH, ASM.	1	81 548 R91
5	SCREW, RD-HD., No. 8NF x 1/4"	4	132 750
	CLIP, LK.	4	72 949 H

PRINTED IN UNITED STATES OF AMERICA









A-34289

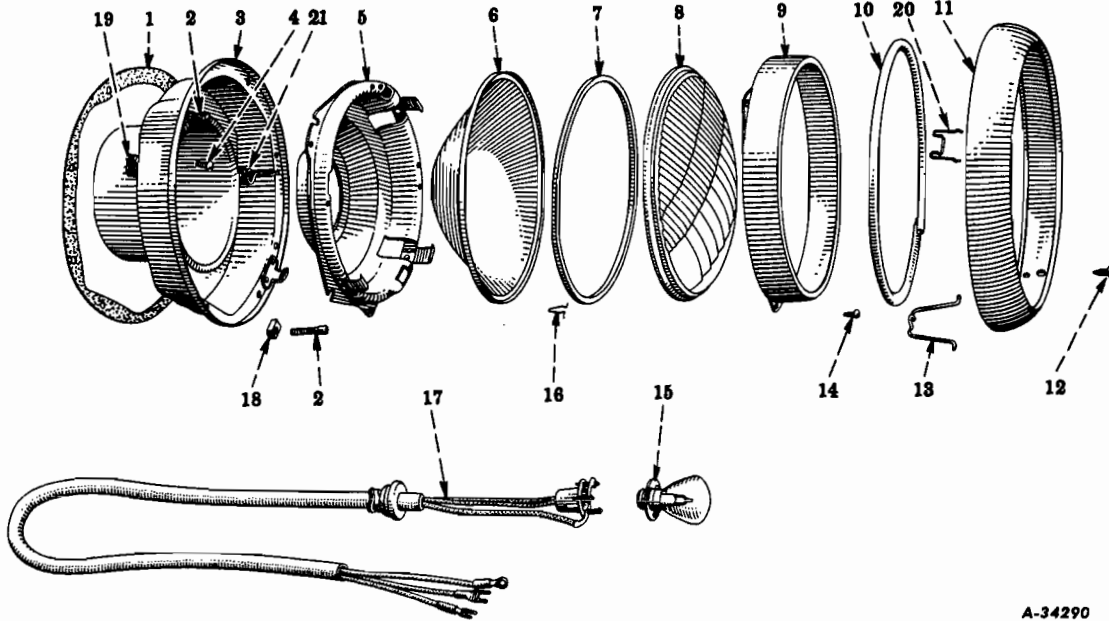
FIG. 08-25 - HEADLIGHT (Sealed Beam)

KEY	DESCRIPTION	NO. REQ'D	I H PART NUMBER
	HEADLIGHT, ASM.		
	6 VOLT	2	80 673 R92
	12 VOLT	2	80 674 R92
1	MOULDING	2	59 983 R11
2	NOT USED		
3	SCREW	6	171 352
4	RETAINER	2	105 303 HA
5	LAMP		
	6 VOLT	2	456 795
	12 VOLT	2	456 796
6	RING	2	100 398 H
7	SCREW	4	100 399 H
8	NUT	4	93 989 R1
9	NOT SERVICED SEPARATELY		
10	GASKET	2	95 577 H
11	HARNESS, ASM.		
	NOT FOR RC-160 SERIES	2	82 426 R91
	FOR RC-160 SERIES	2	90 208 R91

PRINTED IN UNITED STATES OF AMERICA



GROUP 08 – ELECTRICAL SYSTEM



A-34290

FIG. 08-26 – HEADLIGHT (Tilt Ray)

KEY	DESCRIPTION	I H PART NUMBER
	HEADLIGHT, ASM. 6 VOLT (SEE NOTE "A")	84 661 R91
1	GASKET	95 577 H
2	SCREW	100 399 H
3	NOT SERVICED SEPARATELY	
4	SCREW, TAP., PAN-HD., No. 10 x 1/2"	441 061
5	RING	104 556 HX
6	REFLECTOR	104 553 H
7	SEAL	104 554 H
8	LENS	104 558 H
9	RETAINER	105 303 HA
10	NOT USED	
11	MOULDING, ASM.	59 983 R11
12	SCREW, PAN-HD., TAP, No. 8 x 7/16"	450 521
13	NOT USED	
14	SCREW, RD-HD., TAP, No. 8 x 3/8"	171 352
15	LAMP 6 VOLT, 50-32 CP 12 VOLT, 50-21 CP	107 334 147 655
16	CLIP	104 555 H
17	HARNES, ASM.	88 172 R91
18	NUT	93 989 R1
19	NUT, SPEED, No. 10	97 009 H
20	NOT USED	
21	SPRING	67 705 R1
	NOTE "A" - WHEN USED FOR TRUCKS WITH 12 VOLT SYSTEM, REPLACE 6 VOLT LAMP, 107 334, WITH 12 VOLT LAMP, 147 655	

PRINTED IN UNITED STATES OF AMERICA

MT-97

GROUP 08 – ELECTRICAL SYSTEM

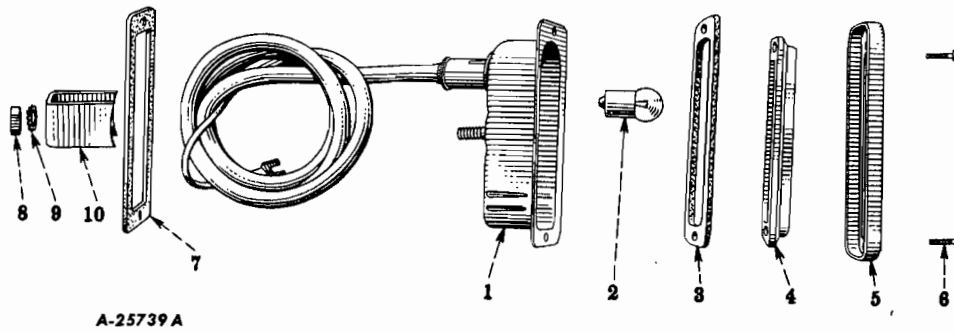


FIG. 08-27 – PARKING LIGHTS

KEY	DESCRIPTION	NO. REQ'D	I H PART NUMBER
	LIGHT, ASM.		
	6 VOLT	2	80 675 R91
	12 VOLT	2	80 676 R91
1	NOT SERVICED SEPARATELY		
2	LAMP		
	6 VOLT, 3 CP	2	142 303
	12 VOLT, 3 CP	2	142 450
3	GASKET	2	86 922 R1
4	LENS	2	132 639 R1
5	MOULDING	2	86 924 R1
6	SCREW	4	53 526 D
7	GASKET	2	80 767 R1
8	NUT, HEX., 5/16NC	2	102 634
9	WASHER, LK., 5/16", EXT.	2	114 605
10	CLAMP	2	77 282 R1

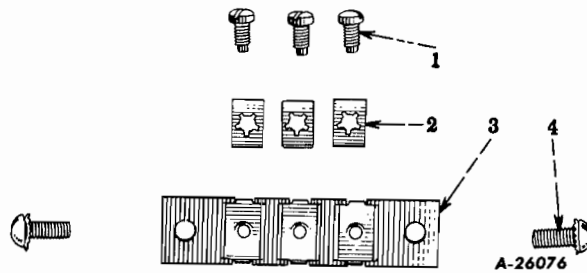
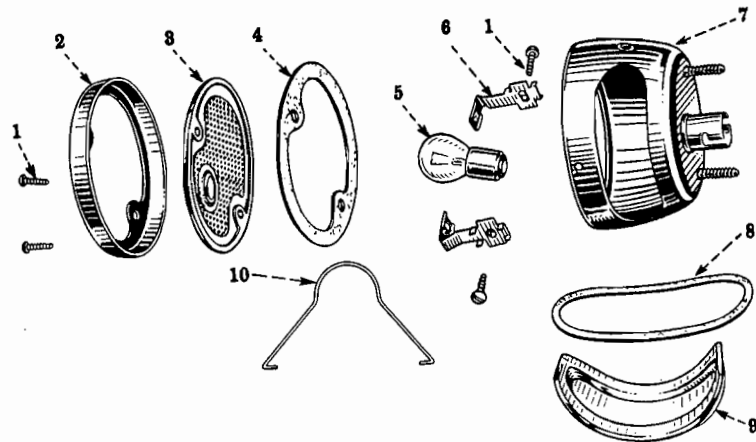


FIG. 08-28 – HEADLIGHT CABLE JUNCTION BLOCK

KEY	DESCRIPTION	NO. REQ'D	I H PART NUMBER
1	SCREW	3	64 022 H
2	CLIP	3	113 951 H
3	BLOCK, ASM.	1	95 444 H
4	SCREW	2	424 335



*Handwritten note:* 145 51

A-32369

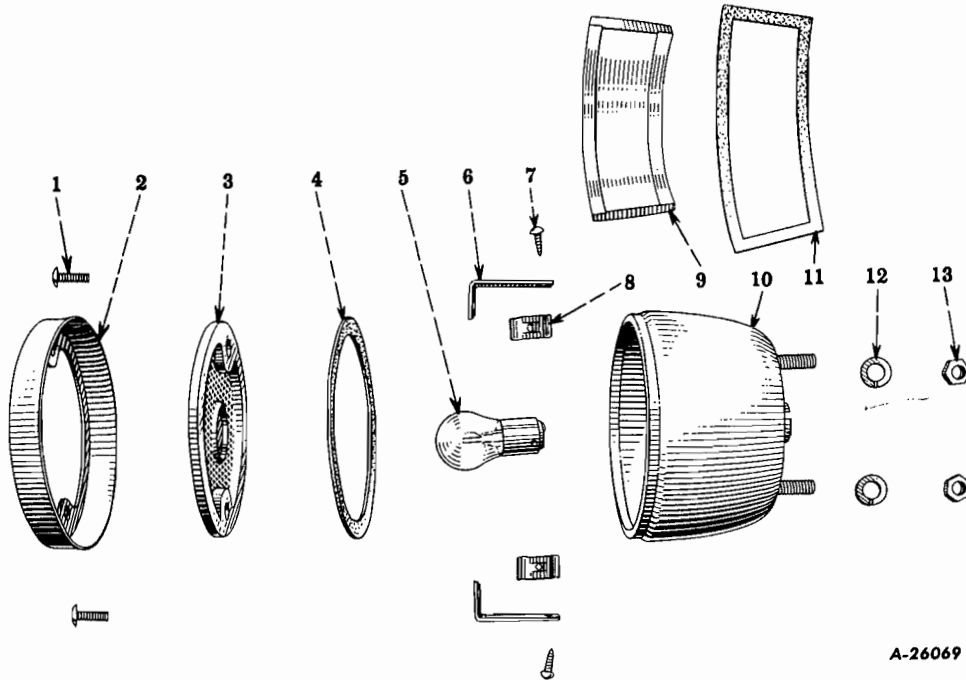
FIG. 08-29 – STOP AND TAIL LIGHT (Guide) (Early Production)  
(Not For Body, Codes 1610, 1617, 1618)

KEY	DESCRIPTION	NO. REQ'D	I H PART NUMBER
	LIGHT, ASM.		
	6 VOLT	1	50 004 HA
	12 VOLT	1	45 645 HA
1	SCREW, RD-HD., No. 8 x 5/8"	4	145 135
2	RETAINER	1	50 500 H
3	LENS	1	50 501 HA
4	GASKET	1	50 502 HA
5	LAMP		
	6 VOLT, 21-3 CP	1	145 416
	12 VOLT, 21-3 CP	1	188 028
6	NUT	2	83 001 R1
7	NOT SERVICED SEPARATELY		
8	NOT SERVICED SEPARATELY		
9	NOT SERVICED SEPARATELY		
10	NOT SERVICED SEPARATELY		



MT-97

GROUP 08 – ELECTRICAL SYSTEM



A-26069

FIG. 08-30 — STOP AND TAIL LIGHT (Grote) (Early Production)  
(Not For Body, Copies 1610, 1617, 1618)

KEY	DESCRIPTION	NO. REQ'D	I H PART NUMBER
	LIGHT, ASM.		
	6 VOLT	1	50 004 HA
	12 VOLT	1	45 645 HA
1	SCREW, RD-HD., No. 8NC x 1/2"	2	16 767 R1
2	RETAINER	1	81 712 R1
3	LENS	1	81 713 R1
4	GASKET	1	81 714 R1
5	LAMP		
	6 VOLT, 2-1/3 CP	1	142 449
	12 VOLT, 2-1/3 CP	1	173 029
6	NOT SERVICED SEPARATELY		
7	SCREW, RD-HD., No. 6 x 3/8"	2	125 728
8	NOT SERVICED SEPARATELY		
9	NOT SERVICED SEPARATELY		
10	NOT SERVICED SEPARATELY		
11	NOT SERVICED SEPARATELY		
12	WASHER, LK., 1/4", INT.	2	138 167
13	NUT, HEX., 1/4NC	2	109 084

PRINTED IN UNITED STATES OF AMERICA

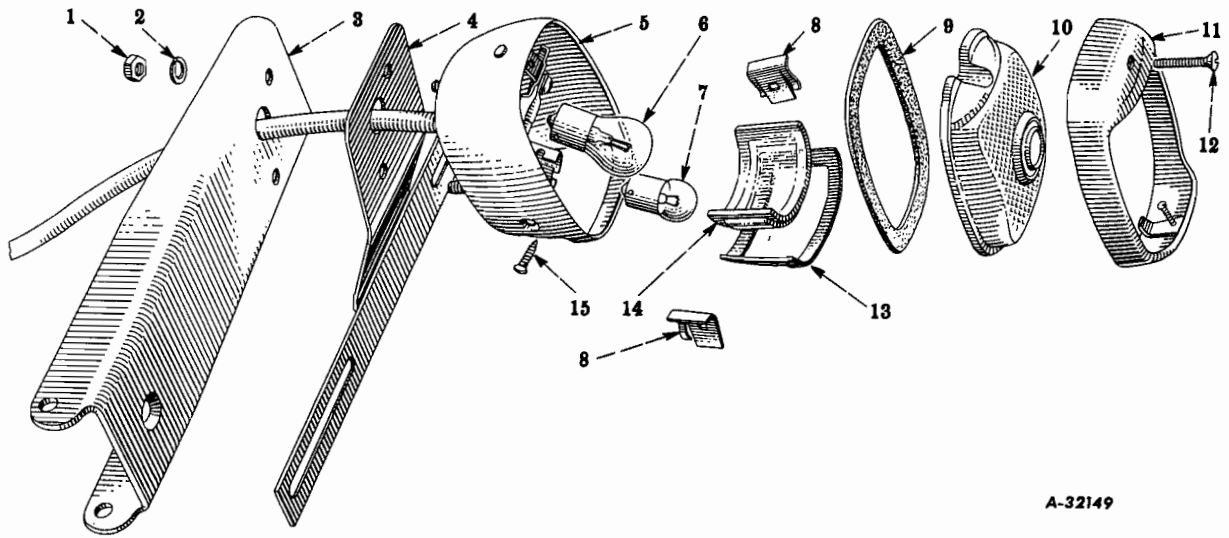


FIG. 08-31 – STOP AND TAIL LIGHT (Guide)  
(For Panel Body, Codes 1610, 1618; Travelall Body, Code 1617)

KEY	DESCRIPTION	I H PART NUMBER
	LIGHT, ASM.	106 454 R91
1	NUT, HEX., 1/4NF	103 024
2	WASHER, LK., 1/4", MED.	103 319
3	BRACKET	
	FOR SINGLE MOUNTING LIGHTS	102 733 R1
	LEFT, FOR DUAL MOUNTING LIGHTS, CODE 0816	102 733 R1
	RIGHT, FOR DUAL MOUNTING LIGHTS, CODE 0816	122 225 R1
4	BRACKET, ASM.	102 731 R11
5	NOT SERVICED SEPARATELY	
6	LAMP (6 VOLT, 21 CP)	103 642
7	LAMP (6 VOLT, 3 CP)	142 303
8	RETAINER	18 368 D
9	GASKET	112 225 R1
10	KIT (DOOR AND LENS)	112 194 R91
11	NOT SERVICED SEPARATELY	
12	SCREW, OV-HD., No. 8 x 1"	128 034
13	GASKET	112 433 R1
14	LENS	112 219 R1
15	SCREW, OV-HD., TAP., No. 6 x 5/8"	144 886
RIGHT HAND DRIVE		
3	BRACKET	
	FOR SINGLE MOUNTING LIGHTS	122 225 R1
	LEFT, FOR DUAL MOUNTING LIGHTS, CODE 0816	102 733 R1
	RIGHT, FOR DUAL MOUNTING LIGHTS, CODE 0816	122 225 R1

PRINTED IN UNITED STATES OF AMERICA

MT-97

GROUP 08 – ELECTRICAL SYSTEM

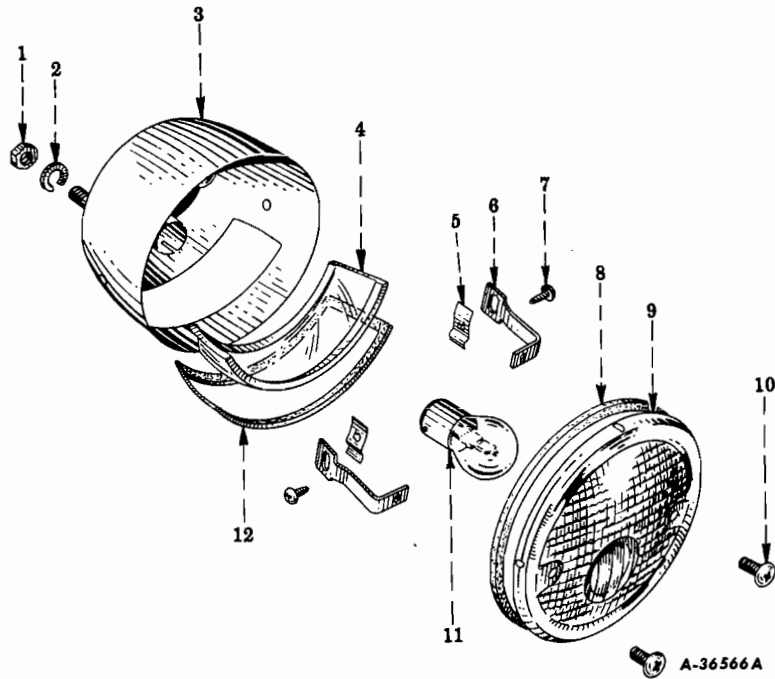


FIG. 08-32 – STOP AND TAIL LIGHT (Guide) (Grote) (Late Production)  
(Not For Body, Codes 1610, 1617, 1618)

KEY	DESCRIPTION	NO. REQ'D	I H PART NUMBER	
			GROTE	GUIDE
	LIGHT, ASM.			
	6 VOLT	1	50 004 HA	50 004 HA
	12 VOLT	1	45 645 HA	45 645 HA
1	NUT, HEX., 1/4NC	2	109 084	109 084
2	WASHER, LK., 1/4", INT.	2	138 167	138 167
3	NOT SERVICED SEPARATELY			
4	NOT SERVICED SEPARATELY			
5	NOT SERVICED SEPARATELY			
6	NOT SERVICED SEPARATELY			
7	NOT SERVICED SEPARATELY			
8	GASKET	1		137 473 R1
9	LENS	1	137 471	137 472 R1
10	SCREW	2	189 106	145 135
11	BULB			
	6 VOLT	1	145 416	145 416
	12 VOLT	1	454 645	454 645
12	NOT SERVICED SEPARATELY			



**MT-97** Rev. No. 2, 7/56

**MEMORANDA**









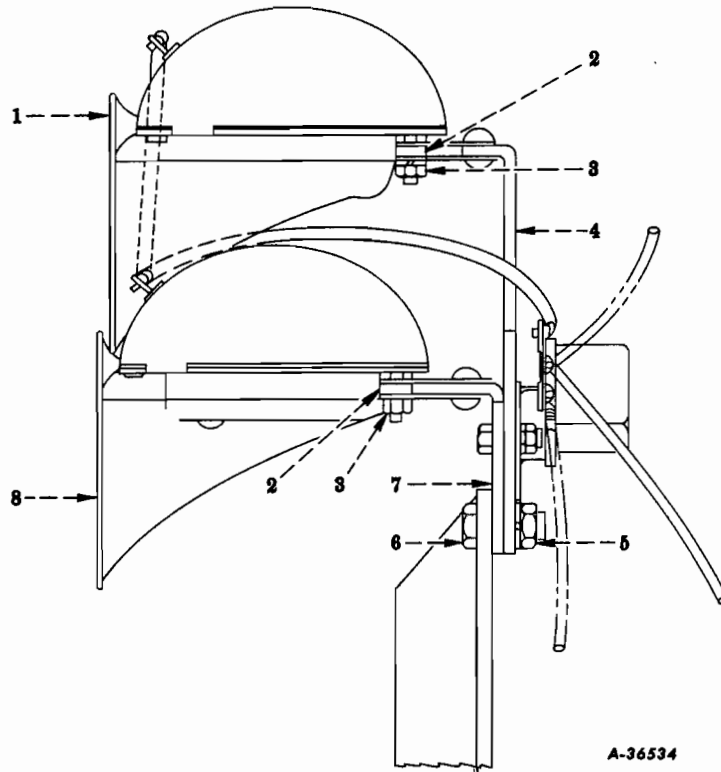


FIG. 08-33 – HORN  
(R-100, R-110, R-120, R-130 Series)

KEY	DESCRIPTION	NO. REQ'D		I H PART NUMBER
		HORNS		
		SINGLE	DUAL, CODE 0815	
1	HORN, ASM.		1	⊛ 1999658
2	SPACER	1	1	80 856 R1
3	NUT, HEX., 1/4NF	2	2	103 024
	WASHER, LK., 1/4", INT.	2	2	138 167
4	BRACKET		1	120 346 R91
5	NUT, HEX., 1/2NF	1	1	103 028
	WASHER, LK., 1/2", MED.	1	1	103 323
6	BOLT, HEX-HD., 1/2NF x 1"	1	1	182 776
7	BRACKET	1		120 340 R91
8	HORN, ASM.	1		⊛ 1999657
				⊛ DELCO-REMY PART NUMBERS

PRINTED IN UNITED STATES OF AMERICA

MT-97

GROUP 08 – ELECTRICAL SYSTEM

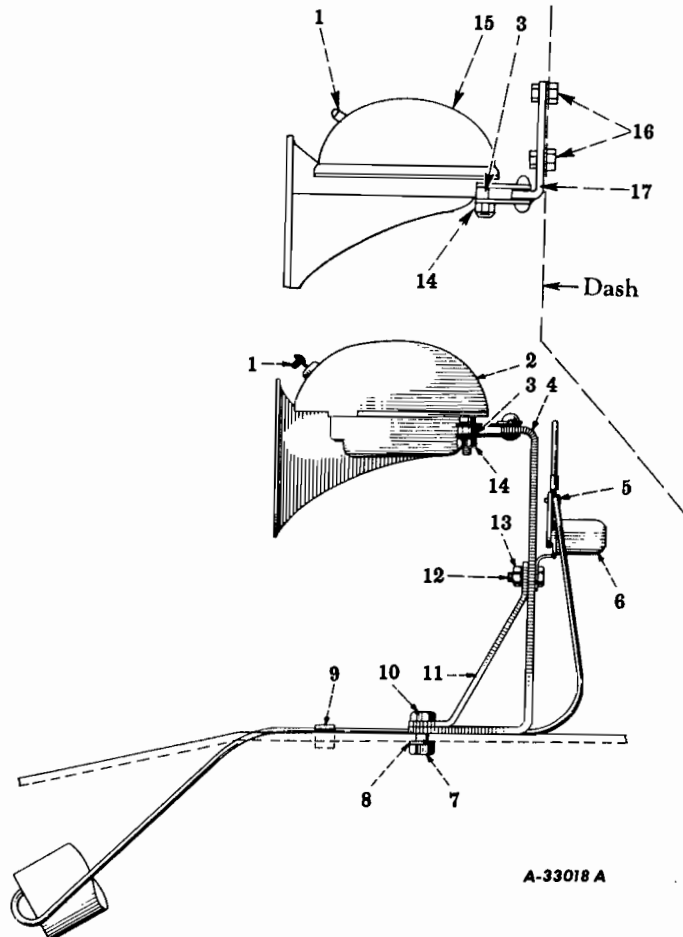


FIG. 08-34 – HORNS  
(R-140-4x4, R-160-4x4 Series, Left Hand Drive)

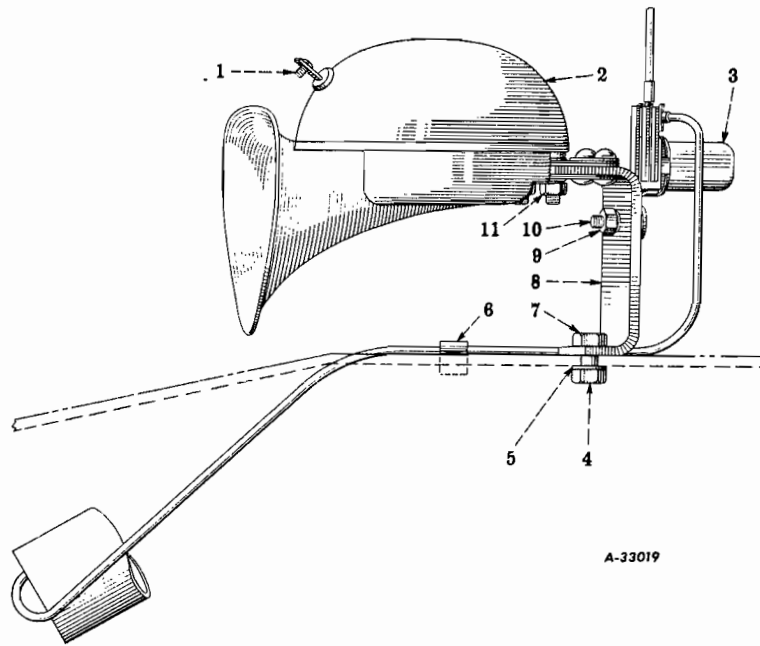
KEY	DESCRIPTION	NO. REQ'D		I H PART NUMBER
		HORNS		
		SINGLE	DUAL, CODE 0815	
1	SCREW, ASM.	1	1	228 321
2	HORN, ASM.			
	6 VOLT, LOW NOTE	1		(*) 1999657
	12 VOLT, LOW NOTE	1		(*) 1999757
3	SPACER	2	2	80 856 R1
4	BRACKET	1		129 168 R91
5	SCREW AND WASHER (SEE SEPARATE ILLUSTRATION)			
6	RELAY (SEE SEPARATE ILLUSTRATION)			
7	NUT, HEX., 3/8NF	1		103 026
8	WASHER, LK., 3/8", EXT.	1		138 489
9	CLIP	AR		63 402 H
10	BOLT, HEX-HD., 3/8NF x 1"	1		182 718
11	BRACE	1		129 440 R1
12	BOLT, HEX-HD., 1/4NF x 7/8"	1		182 657
13	WASHER, LK., 1/4", MED.	1		103 319
	NUT, HEX., 1/4NF	1		103 024

(\*) DELCO-REMY PART NUMBER



MT-97

GROUP 08 – ELECTRICAL SYSTEM



A-33019

FIG. 08-35 – HORNS  
 (R-150, R-160 Series - Left Hand Drive)  
 (R-140-4x4, R-150, R-160, R-160-4x4 Series - Right Hand Drive)

KEY	DESCRIPTION	NO. REQ'D		I H PART NUMBER
		HORNS		
		SINGLE	DUAL, CODE 0815	
1	SCREW, ASM.	1	1	228 321
2	HORN, ASM.			
	LOW NOTE			
	6 VOLT	1		⊛ 1999657
	12 VOLT	1		⊛ 1999757
	HIGH NOTE			
	6 VOLT		1	⊛ 1999658
	12 VOLT		1	⊛ 1999758
3	RELAY (SEE SEPARATE ILLUSTRATION)			
4	NUT, HEX., 3/8NF	1	1	103 026
5	WASHER, LK., 3/8", MED.	1	1	103 321
6	CLIP	AR		√ 63 402 H
7	BOLT, HEX-HD., 3/8NF x 1"	1	1	182 718
8	BRACKET	1	1	120 336 R91
9	NUT, HEX., 1/4NF	1		103 024
	WASHER, LK., 1/4", MED.	1		103 319
10	BOLT, HEX-HD., 1/4NF x 5/8"	1		182 650
11	NUT, HEX., 1/4NF	2	2	103 024
	WASHER, LK., 1/4", INT.	2	2	138 167
	SPACER	2	2	80 856 R1
				⊛ DELCO-REMY PART NUMBER

PRINTED IN UNITED STATES OF AMERICA



MT-97

GROUP 08 - ELECTRICAL SYSTEM

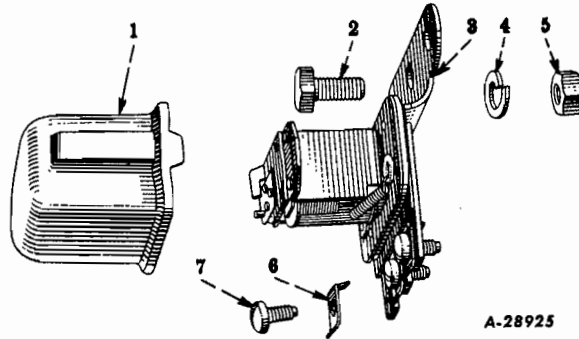
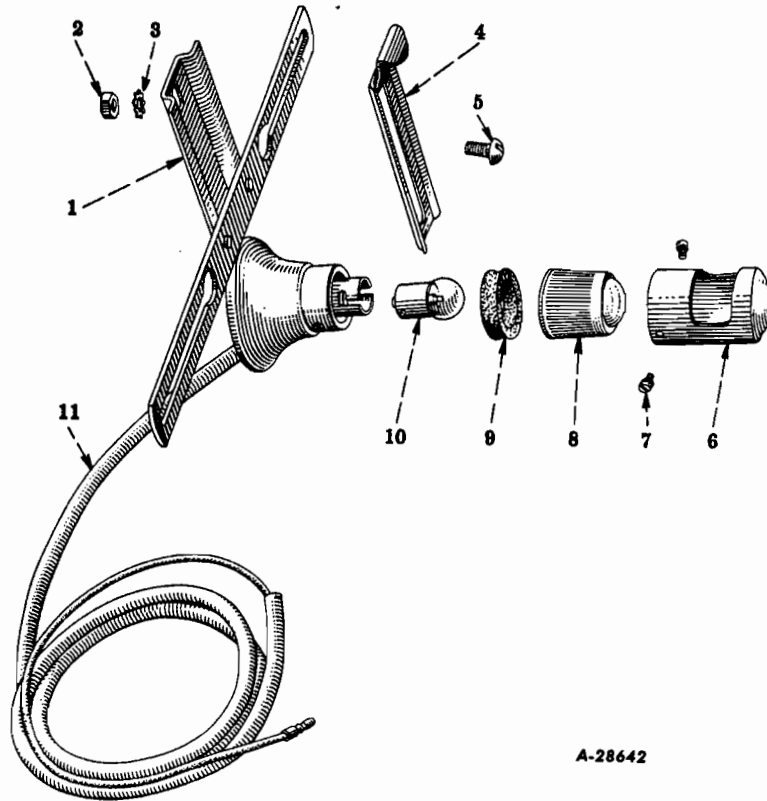


FIG. 08-37 - HORN RELAY

KEY	DESCRIPTION	NO. REQ'D	I H PART NUMBER
	RELAY, ASM.		
	6 VOLT	1	⊛ 1116775
	12 VOLT	1	⊛ 1116781
1	COVER	1	⊛ 1874297
2	BOLT, HEX-HD., 1/4NF x 5/8"	2	182 650
3	NOT SERVICED SEPARATELY		
4	WASHER, L.K., 1/4", MED.	2	103 319
5	NUT, HEX., 1/4NF	2	103 024
6	WASHER, L.K.		
	6 VOLT	3	⊛ 802729
	12 VOLT		⊛ 1855978
7	SCREW	3	⊛ 1881998
			⊛ DELCO-REMY PART NUMBER



A-28642

FIG. 08-38 — LICENSE PLATE LIGHT  
 (For Pickup Body, Codes 1650, 1651, 1652 With Rear Bumper,  
 Codes 0119 And 0120; And Travelall Body, Codes 1616, 1619)

KEY	DESCRIPTION	NO. REQ'D	I H PART NUMBER	
			PICKUP BODY	TRAVELALL BODY
	LIGHT, ASM.	1	87 084 R91	122 237 R91
1	NOT SERVICED SEPARATELY			
2	NUT, HEX., 1/4NC	1	109 084	109 084
3	WASHER, LK., 1/4, EXT.	1	121 753	121 753
4	BAR	1	89 882 R1	89 882 R1
5	SCREW, RD-HD., SLT., 1/4NC x 1/2"	1	113 955	113 955
6	COVER	1	89 885 R1	122 595 R1
7	SCREW, w/LOCKWASHER, ASM.	2	89 886 R91	89 886 R91
8	LENS	1	89 884 R1	89 884 R1
9	GASKET	1	89 883 R1	89 883 R1
10	LAMP (6 VOLT, 3 CP)	1	142 303	142 303
11	SOCKET, w/CABLE, ASM.	1	89 985 R91	126 571 R91



MT-97

GROUP 08 – ELECTRICAL SYSTEM

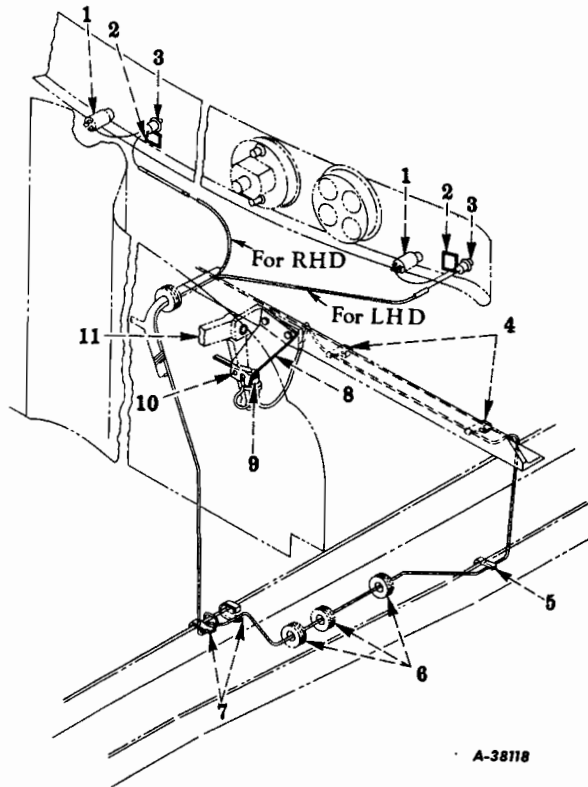


FIG. 08-39 — FRONT AXLE WARNING LIGHT  
(R-140-4x4, R-160-4x4 Series)

KEY	DESCRIPTION	NO. REQ'D	I H PART NUMBER
1	SWITCH, IGNITION (SEE SEPARATE ILLUSTRATION)		
2	DECAL	1	1 001 674 R1
3	LIGHT, ASM.	1	97 188 R91
	6 VOLT	1	142 311
	12 VOLT	1	142 451
4	CLIP	AR	63 402 H
5	CLIP (SEE WIRING DIAGRAM)		
6	GROMMET (SEE WIRING DIAGRAM)		
7	CLIP (SEE WIRING DIAGRAM)		
8	BRACKET	1	136 143 R1
9	SWITCH	1	136 348 R91
10	SCREW, RD-HD., SLT., No. 10 x 3/8"	2	110 499
	WASHER, LK., No. 10, INT.	2	138 534
11	FRONT AXLE SHIFT LEVER (SEE GROUP 13)		

PRINTED IN UNITED STATES OF AMERICA

GROUP 08 - ELECTRICAL SYSTEM

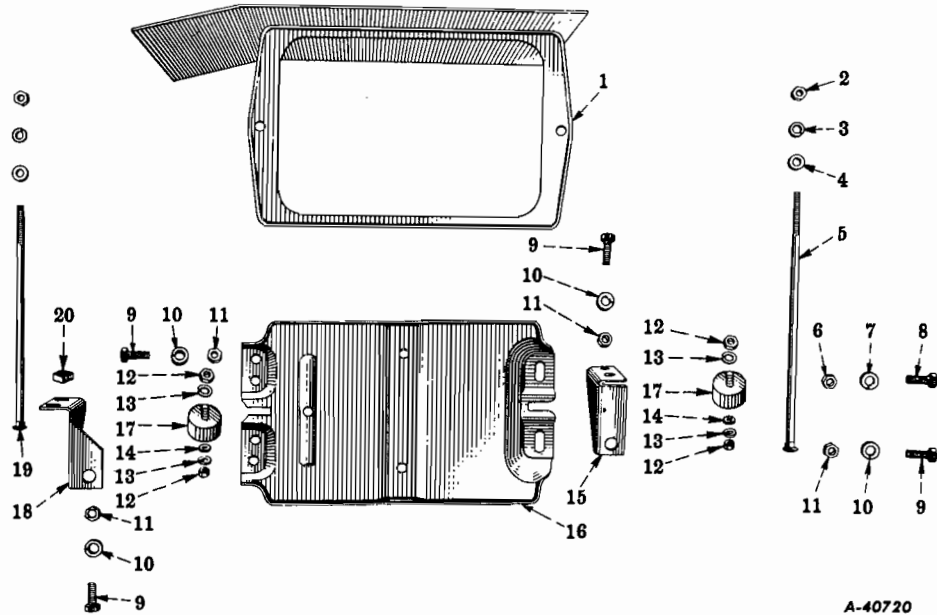


FIG. 08-40 - BATTERY BOX (6 Volt)  
(R-100, R-110, R-120, R-130 Series)

KEY	DESCRIPTION	R-100 R-110 R-120	R-130	I H PART NUMBER
1	CLAMP, w/SHIELD, ASM. BUMPER, RUBBER	X X	X X	79 904 R11 76 652 R1
2	NUT, HEX., 1/4NC	X	X	109 084
3	WASHER, LK., 1/4", MED.	X	X	103 319
4	WASHER, FL., 1/4"	X	X	118 773
5	BOLT, BAT. CLAMP, FRT. FOR STD. CAPACITY BAT. FOR INC. CAPACITY BAT.	X X	X	120 384 R1 125 937 R1 120 834 R1
6	NUT, HEX., 1/2NF	X	X	103 028
7	WASHER, LK., 1/2", MED.	X	X	103 323
8	BOLT, HEX-HD., 1/2NF x 1"	X	X	182 774
9	BOLT, HEX-HD., 3/8NF x 7/8"	X	X	182 717
10	WASHER, LK., 3/8", MED.	X	X	103 321
11	NUT, HEX., 3/8NF	X	X	103 026
12	NUT, HEX., 5/16NF FOR R-100-16345, R-110-51362, R-120-10981 AND UP	X		103 025
13	WASHER, LK., 5/16", MED. FOR R-100-16345, R-110-51362, R-120-10981 AND UP	X		103 320
14	WASHER, FL., 5/16" FOR R-100-16345, R-110-51362, R-120-10981 AND UP	X		144 447 H
15	SUPPORT, FRT.	X	X	83 656 R1
16	TRAY, BAT.	X	X	72 923 R2

PRINTED IN UNITED STATES OF AMERICA

MT-97 Rev. No. 2, 7/56



GROUP 08 — ELECTRICAL SYSTEM

KEY	DESCRIPTION	R-100 R-110 R-120	R-130	I H PART NUMBER
-----	-------------	-------------------------	-------	-----------------

FIG. 08-40 — BATTERY BOX (6 Volt)  
(R-100, R-110, R-120, R-130 Series) - Continued

17	INSULATOR, BAT. MTG. FOR R-100-16345, R-110-51362, R-120-10981 AND UP	X		140 722 R9I
18	SUPPORT, REAR	X	X	83 660 RI
19	BOLT, BAT. CLAMP, REAR	X	X	120 833 RI
20	NOT USED			

RIGHT HAND DRIVE

1	CLAMP, BAT.	X	X	72 924 RI
15	SUPPORT, FRT.	X	X	83 655 RI
18	SUPPORT, REAR	X	X	83 659 RI

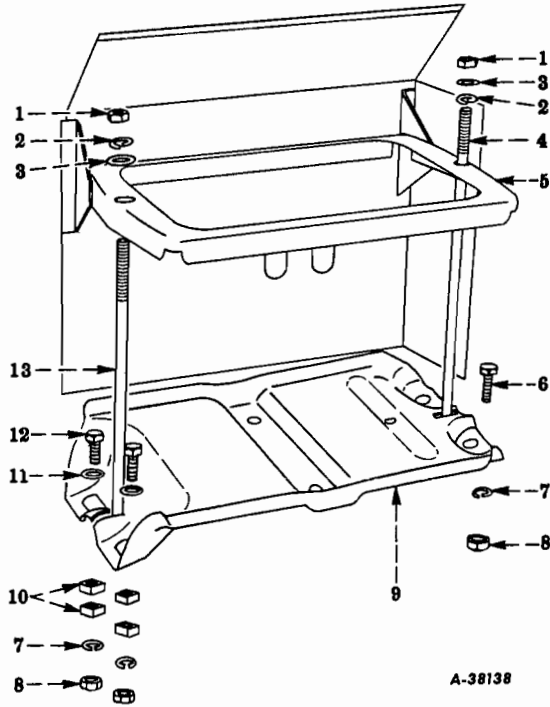


FIG. 08-41 – BATTERY BOX (6 Volt)  
(R-140-4x4, R-150, R-160, R-160-4x4 Series)

KEY	DESCRIPTION	NO. REQ'D		I H PART NUMBER
		BATTERY BOX		
		R-140-4x4 R-150	R-160 R-160-4x4	
1	NUT, HEX., 1/4NC	2	2	109 084
2	WASHER, FL., 9/32"	2	2	103 339
3	WASHER, LK., 1/4", MED.	2	2	103 319
4	BOLT, 1/4NC x 9-1/4"	1	1	120 833 RI
5	CLAMP, w/SHIELD, ASM.	1		79 904 R11
	BUMPER, RUBBER	1		76 652 RI
	CLAMP, w/SHIELD, ASM.		1	103 591 R11
6	BOLT, HEX-HD., 3/8NF x 7/8"	1	1	182 717
7	WASHER, LK., 3/8", MED.	3	3	103 321
8	NUT, HEX., 3/8NF	3	3	103 026
9	TRAY	1	1	72 923 R2
10	SPACER	4	4	101 927 H
11	WASHER, FL., 3/8"	2	2	120 394
12	BOLT, HEX-HD., 3/8NF x 1-1/2"	2	2	182 726
13	BOLT, 1/4NC x 10-3/4"	1	1	120 834 RI
RIGHT HAND DRIVE				
5	CLAMP	1	1	72 924 RI
10	NOT USED			
12	BOLT, HEX-HD., 3/8NF x 1"	2	2	182 718

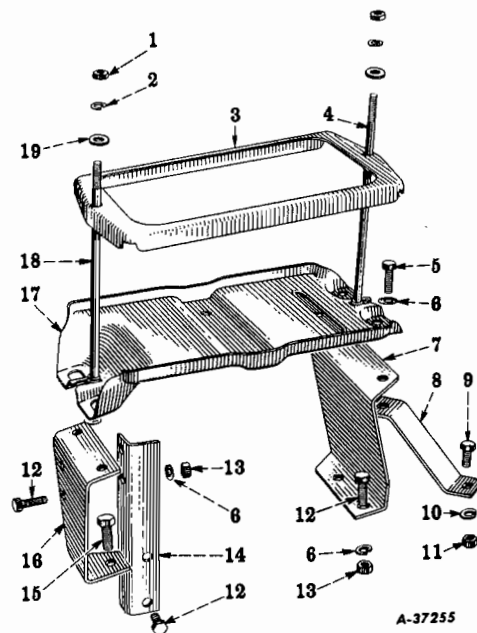


FIG. 08-42 -- BATTERY BOX (6 Volt)  
(RC-160 Series)

KEY	DESCRIPTION	NO. REQ'D	I H PART NUMBER
1	NUT, HEX., 1/4NC	2	109 084
2	WASHER, LK., 1/4", MED.	2	103 319
3	CLAMP	1	72 924 R1
4	BOLT, 1/4NC x 9-1/4"	1	120 833 R1
5	BOLT, HEX-HD., 3/8NF x 3/4"	4	182 716
6	WASHER FL., 3/8" LK., 3/8", MED.	4 10	118 775 103 321
7	SUPPORT (REAR)	1	91 088 R1
8	BRACE	1	93 280 R1
9	BOLT, HEX-HD., 7/16NF x 1-1/4"	1	182 753
10	WASHER, LK., 7/16", MED.	1	103 322
11	NUT, HEX., 7/16 NF	1	271 505
12	BOLT, HEX-HD., 3/8NF x 1"	2	182 718
13	NUT, HEX., 3/8NF	10	103 026
14	ANGLE	1	93 279 R1
15	BOLT, HEX-HD., 5/16NF x 1"	1	182 689
16	SUPPORT (FRONT)	1	93 281 R1
17	TRAY	1	72 923 R2
18	BOLT, 1/4NC x 10-3/4"	1	120 834 R1
19	WASHER, FL., 1/4"	1	103 339

PRINTED IN UNITED STATES OF AMERICA



