



GROUP 11 – CLUTCH

CLUTCH DISC, PRESSURE PLATE AND SPRINGS

- FIG. 11-1 — 10" CLUTCH - STANDARD FOR SD-220 ENGINES
11" CLUTCH - STANDARD FOR SD-240 ENGINES FOR TRUCKS BELOW
R-110-53795, R-120-11798, R-130-10254
R-140-4 x 4-1063, R-150-3951, R-160-33294,
R-160-4 x 4-1001, RC-160-3056
CODE 1254 FOR SD-220 ENGINES FOR TRUCKS BELOW
R-110-53804, R-120-11826, R-130-10338,
R-140-4 x 4-1071, R-150-3952
- FIG. 11-2 — 11" CLUTCH - STANDARD FOR BD-264 ENGINES
STANDARD FOR SD-240 ENGINE FOR TRUCKS
R-110-53795, R-120-11798, R-130-10254,
R-140-4 x 4-1063, R-150-3951, R-160-33294,
R-160-4 x 4-1001, RC-160-3056 UP
CODE 1254 FOR SD-220 ENGINES FOR TRUCKS
R-110-53804, R-120-11826, R-130-10338,
R-140-4 x 4-1071, R-150-3952 UP

CLUTCH CONTROL

LISTED WITH BRAKE CONTROL ILLUSTRATIONS (SEE GROUP 04-BRAKES)



GROUP 11 - CLUTCH

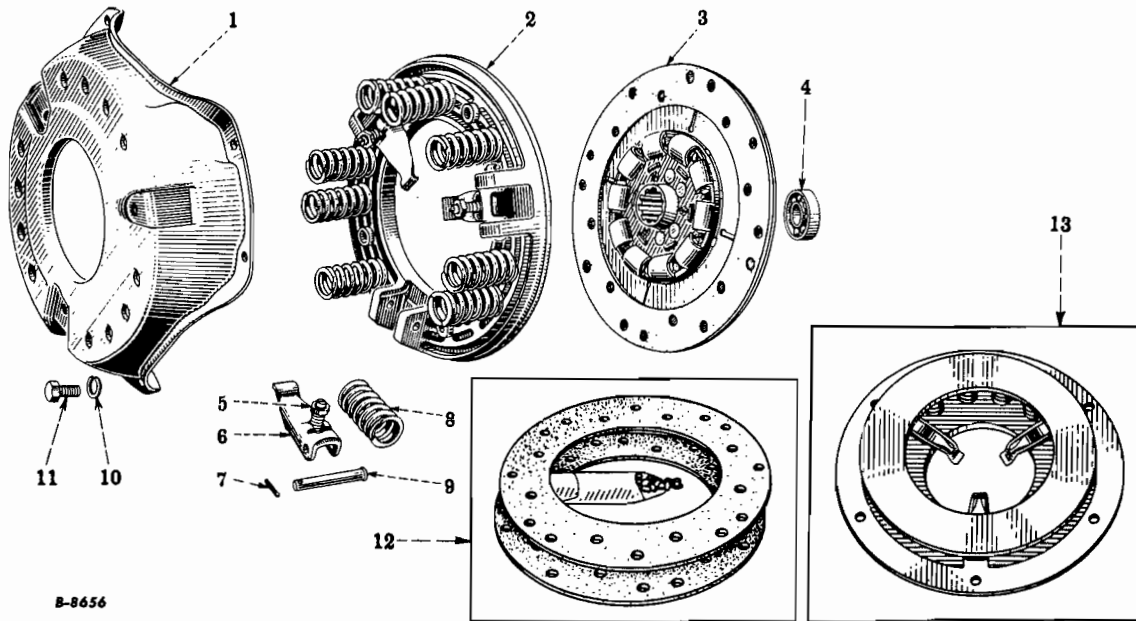
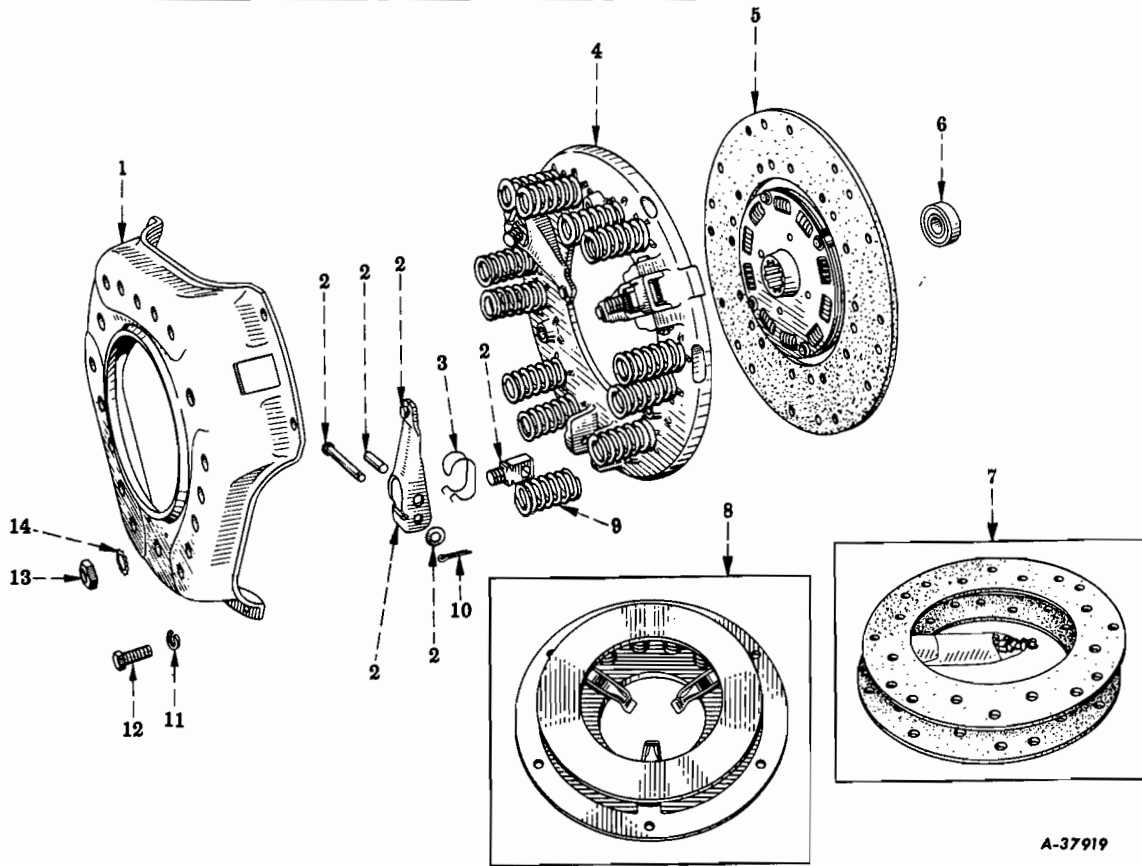


FIG. 11-1 - CLUTCH DISC, PRESSURE PLATE AND SPRINGS
 (10" Clutch - Standard For SD-220 Engines)
 (11" Clutch - Standard For SD-240 Engines For Trucks Below R-110-53795, R-120-11798,
 R-130-10254, R-140-4x4-1063, R-150-3951, R-160-33294, R-160-4x4-1001, RC-160-3056
 Code 1254 For SD-220 Engines For Trucks Below R-110-53804, R-120-11826, R-130-10338,
 R-140-4x4-1071, R-150-3952)

KEY	DESCRIPTION	NO. REQ'D	I H PART NUMBER	
			10" CLUTCH	11" CLUTCH
1	PLATE	1	102 317 HA	110 349 H
2	PLATE	1	102 318 HA	68 739 HB
3	DISC, w/FACINGS, ASM.	1	83 251 R93	43 667 HH
4	BEARING	1	ST 545	ST 545
5	NUT, HEX., JAM, 3/8NF	3	114 494	114 494
6	LEVER, ASM.	3	43 919 HEX	68 741 HDX
7	PIN, COTTER, 3/32 x 3/4"	3	103 373	103 373
8	SPRING			
	10" CLUTCH	9	68 740 H	
	11" CLUTCH	12		68 740 H
9	PIN	3	29 774 HB	29 774 HB
10	WASHER, LOCK			
	5/16", MED.	6	103 320	
	3/8", MED.	6		103 321
11	BOLT	6	72 855 R2	73 092 R2
12	SET, FACING, w/RIVETS	1	121 263 HE	123 361 HDX
	RIVET	AR	103 384 H	103 384 H
13	PLATE, ASM.	1	102 316 HF	110 349 HCX



A-37919

FIG. 11-2 - CLUTCH DISC PRESSURE PLATE AND SPRINGS (11" Clutch)

(Standard For BD-264 Engines)

(Standard For SD-240 Engines For Trucks R-110-53795, R-120-11798, R-130-10254, R-140-4x4-1063, R-150-3951, R-160-33294, R-160-4x4-1001, RC-160-3056 Up)

(Code 1254 For SD-220 Engines For Trucks R-110-53804, R-120-11826, R-130-10338, R-140-4x4-1071, R-150-3952 Up)

KEY	DESCRIPTION	NO. REQ'D	I H PART NUMBER
1	PLATE	1	143 224 R1
2	KIT, LEVER, ASM.	1	144 060 R91
3	SPRING	3	143 268 R1
4	PLATE	1	143 225 R1
5	DISC, w/FACINGS, ASM.	1	143 228 R91
6	BEARING	1	ST 527
7	SET, FACING, w/RIVETS	1	143 436 R91
	RIVET		
	BRASS	24	143 271 R1
	STEEL	12	143 270 R1
8	PLATE, ASM.	1	143 223 R91
9	SPRING	12	68 740 H
10	PIN, COTTER, 3/32 x 3/4"	3	103 373
11	WASHER, LK., 3/8", MED.	6	103 321
12	BOLT	6	73 092 R2
13	NUT, HEX., JAM, 9/16NF	3	124 939
14	WASHER, LK., 9/16", EXT.	3	138 500

MT-97

MEMORANDA

